



Daily Living

Bathing, Toileting
and Aids for Daily Living

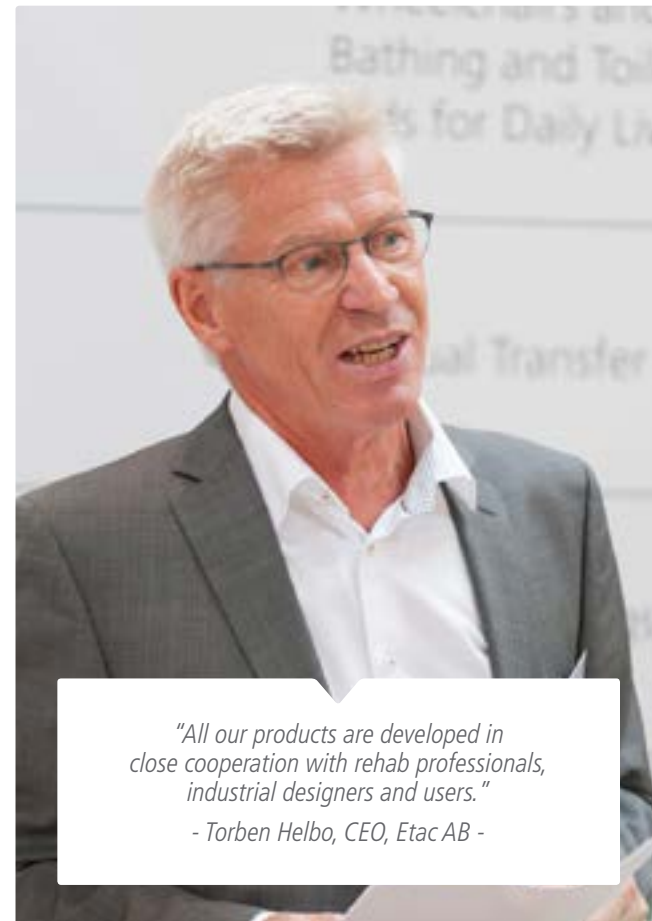
 etac®

The Etac Group

With headquarter in Stockholm, Sweden, the Etac Group is a world-leading developer of ergonomic products that assist people living with restricted mobility. Our strength and competitive edge are delivered through a proven synergy of pioneering product design, excellence in service and a true understanding of end user needs.

For more than 40 years

The Etac Group develops an award-winning portfolio of brands: Etac (Bathing and Toileting, Aids for Daily Living and Wheelchairs), Immedia (Manual Transfer), Molift (Hoists and Slings), Star (Pressure Care), Convaid (Paediatrics) and R82 (Paediatrics). Founded in 1973 and owned by Nordstjernan, a family controlled unlisted investment company, the Etac Group currently has a turnover in excess of MSEK 1400 and employs a 800-strong team of talented specialists worldwide.



"All our products are developed in close cooperation with rehab professionals, industrial designers and users."
- Torben Helbo, CEO, Etac AB -

Creating Possibilities

For more than forty years, the Etac Group has developed products and services that creates possibilities for users and carers. Today we offer a wide range of solutions for mobility with manual wheelchairs, advanced pressure care, innovative products for bathing and toileting, solutions for patient transfer and aids for daily living. We also provide a world-leading state of the art range of solutions for pediatric use.

Setting new standards

All our products have one thing in common – they are the best in terms of quality, simplicity, functionality, reliability and design that the market has to offer. Our products are developed in close cooperation with rehab professionals, industrial designers and users. This has resulted in ergonomic design and quality that are unique in the market. Every product detail is designed to ensure well-being and safety and aims to give the user comfort and functionality. A notable confirmation that we have succeeded are all the design awards we have received, both Scandinavian and international.



Reddot



Good Design Award



Excellent Swedish Design



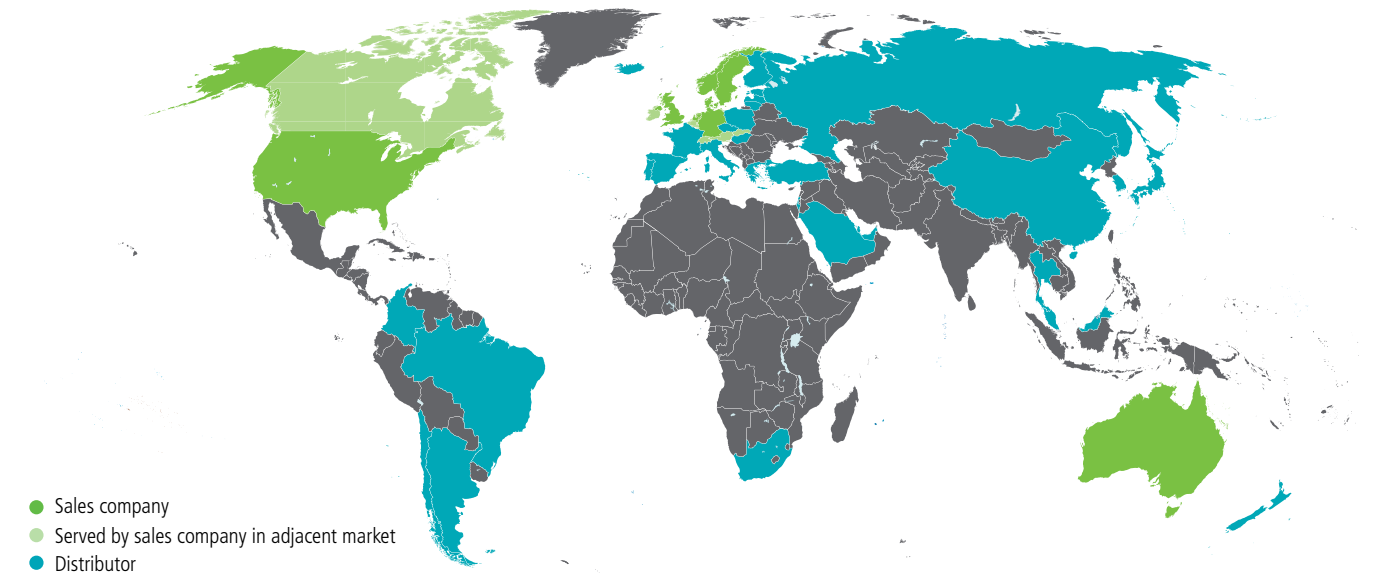
Award for Design Excellence

Innovation for the future

Our mission is that everyone should be able to live a free and independent life and pursue their dreams regardless of any physical circumstances. We will continue to innovate with Scandinavian quality and design and create possibilities for adults and children and their carers.

Creating possibilities worldwide

The Etac group has subsidiaries in 8 countries and distributors in more than 45 countries spread over most of the globe, ensuring personal support.



Etac Education

Learn more about our products and improve your assessment skills! We provide product training, clinical applications and seminars related to our products. Our educational managers are product specialists with many years of clinical experience.

The Etac Group

etac | immedia | molift | STAR | Convaid | R82

Products that ensure integrity and safety

A bathroom door is usually closed. When showering or using the toilet we want privacy.

The bathroom is an accident exposed room

To sit down when showering, to use arm supports and a bath board for safe transfers are good examples of how to improve bathroom safety. But the shower stool, toilet seat raiser and the bath board must be functional and safe.

For Etac function and safety go hand in hand. Already in the 1970's, we involved both occupational therapists and potential users in our product development. Products are thoroughly tested and checked to ensure they meet all safety regulations. With Etac bathroom products you can feel safe when you close the door.



Visit www.etac.com for information about our 5 year warranty.

Product development at its best

An occupational therapist made a home visit to an elderly man with rheumatism, living alone on the country side. The OT felt an unpleasant odor which came from the elderly man's socks. He kept the same socks on for four days, having severe problems taking them on and off by himself.

The OT presented a plain plastic stocking aid that you had to fold and at the same time place inside your sock. That was too difficult for the old man. Resolute, she asked her brother who was an industrial designer, if he would accept the challenge. Together the three of them founded a team, determined to develop a stocking aid that the old man could use. Finally they had developed a long, cone shaped model in sleek nylon fabric with a plastic grip at the top. The old man was now able to change his socks with ease every day.

Read more about "Etac Socky stocking aid on page 70. Watch our instructional videos for Etac Socky stocking aids at www.etac.com



Etac S.P.A. Collection

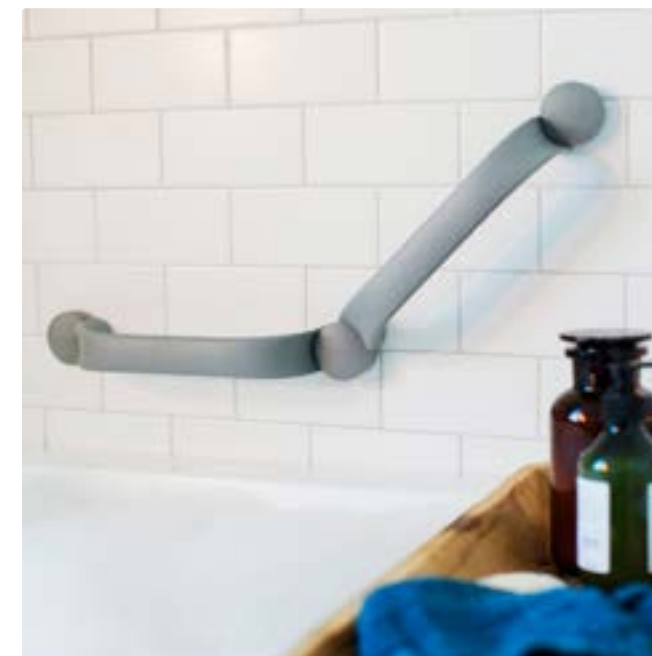
Lean on us. Stay yourself.

For most of us, there comes a time – due to age or some other reason – when we need a little extra support. You are not as supple as you used to be, and cannot move like you used to.

Etac S.P.A. Collection comprises Rex toilet arm support, Flex grab rail and Relax shower seat. All three have a unique function but work together to give you the chance to continue being yourself.

Etac S.P.A. – for Safe. Personal. Assistance.

Read more about the products on page 8, 10 and 42.



Etac Clean

Now in new colours and updated design

For almost 20 years, Etac Clean has been a best-selling shower commode chair. Our commitment and knowledge mean that we are always striving for continuous improvement – and today, Etac Clean is better than ever.

Clean is now available in a new design which makes the chair even easier to clean, and to keep clean. What's more, we are offering Clean in the new colours of lagoon green and white.

It's still Clean, but better and more hygienic. A cleaner Clean.

Read more about the Etac Clean family on page 20 to 27.

CONTENTS

In the shower

- Etac Relax shower seat 8
- Etac Flex grab rail 10
- Etac Edge, Easy and Smart shower stools..... 12
- Etac Swift shower stool/chair 14
- Etac Rufus folding shower chair..... 17
- Etac Rufus Plus shower chair 17

Shower and Toileting

- Etac Clean 20
- Etac Clean Height Adjustable 22
- Etac Clean Comfort 23
- Etac Clean 24" 25
- Etac Swift Mobile shower commode 28
- Etac Swift Mobile XL 160..... 30
- Etac Swift Mobile 24" 31
- Etac Swift Mobile Tilt..... 32
- Etac Swift Mobile Tilt XL 160..... 34
- Etac Tripp Tilt..... 38

Toileting

- Etac Swift Commode 42
- Etac Swift Freestanding toilet seat raiser..... 43
- Etac Kaskad Freestanding toilet seat 44
- Etac Cloo toilet seat raiser 45
- Etac Hi-Loo with Brackets..... 46
- Etac Hi-Loo Fixed..... 47
- Etac Supporter toilet arm supports..... 48
- Etac Supporter Adjustable toilet arm supports 49
- Etac OptimaL toilet arm support..... 51
- Etac Rex toilet arm support 52
- Etac Optima toilet arm support 54

Bathing

- Etac Rufus Plus bath board..... 58
- Etac Fresh bath board..... 59
- Etac Rufus bath chair 60
- Etac Stapel bathroom stool..... 60

Aids for Daily Living

- Etac Beauty body care 64
- Etac Torkel toilet paper tongs 66
- Etac Aktiv reachers 68
- Etac Socky stocking aid 70
- Etac Butler buttoners 70
- Etac Contour pen and Uni turner 73
- Etac Relieve ergonomic knives..... 74
- Etac Fix - food preparation board 76
- Etac Cut - cutting board..... 76
- Etac Light cutlery 78
- Etac Tasty – glass, beaker and plate..... 80
- Etac Feed feeding aids..... 81



In the shower

Showering is one of life's daily pleasures. Etac provides safe solutions which give a high sense of comfort and security. These products are used in wet environments which can put high demands on durability and quality. All our products are designed with materials that can handle the strain and are built to last which is why we offer a 5 year warranty.



Visit www.etac.com
for information about
our 5 year warranty.

Etac Relax shower seat

Scandinavian design for the modern bathroom.

Attention to detail

Etac Relax has been designed to ensure a secure and enjoyable shower experience. Design, function and safety are extremely important to us, and this is presented here in the form of a discreet, wall-mounted shower seat. The shape of the seat offers the option of varied sitting positions, resulting in improved access. It is always close at hand, but as it can be folded upwards it never takes up any unnecessary space.

Adapted to your needs

Etac Relax comes in two colours and six different models, which have all been designed to create options specifically for you.



Etac Relax shower seat

- White	81703010
- White, with arm supports	81703020
- White, with supporting legs	81703030
- White, with arm supports and back support	81703060
- White, with arm supports and supporting legs	81703040
- White, with arm supports, back support and supporting legs	81703050
- Volcano grey	81708000
- Volcano grey with arm supports	81708010
- Volcano grey with supporting legs	81708020
- Volcano grey with arm supports and back support	81708050
- Volcano grey with arm supports and supporting legs	81708030
- Volcano grey with arm supports, back support and supporting legs	81708040

Colour

White, Volcano grey

Maximum user weight

With/without supporting legs: 150/125 kg

Material

Seat; polypropylene
Arm supports; polypropylene and TPE
Legs; aluminium and stainless steel,
Ferrules; TPE



Clean the product with a solvent-free cleaning agent (pH level 5–9), or with a 70% disinfectant solution. Can be decontaminated at max 85°C / 185°F if so required.



Features



Large, stable seat

Large and stable seat when folded down and extremely discreet when folded up.



Easy-grip arm support

The shape and material of the folding arm supports provide a safe and secure grip.



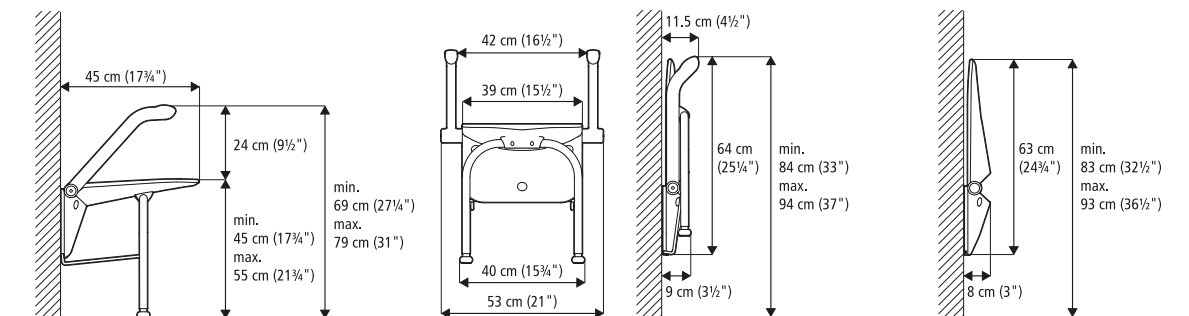
Functional design

The shape of the seat offers the option of varied sitting positions, resulting in improved access.



Easy to fit

As there are only three fixing points, installation is both quick and easy.



Screws/fastener are not included. May be mounted on walls with sufficient load-bearing capacity only. Please ensure that suitable fixtures are used. Mounting of the seat must be carried out by a qualified person. More information in Etac Relax user manual at www.etac.com.

Accessories



Back support, soft

Soft heat reflective back support. Attached to the wall with velcro. White 81704060



Supporting legs

For extra stability and user weight up to 150 kg (330 lbs). Height adjustable 45–55 cm (17 3/4"–21 1/2").
White 81704050
Volcano grey 81708070



Screw kit

For mounting on wood/plywood or concrete walls. The kit includes screws and plugs.

84006130

Etac Flex grab rail

Innovative design that creates possibilities.



Flexible modular grab rails

Etac Flex grab rail is the perfect choice for those who need a little extra support in the bathroom. Thanks to its flexible modular function, it is easy to adjust the handle to suit both you and your bathroom environment. The pure Scandinavian design blends in with other products and you can choose between two colours - white and grey.

Support for good and bad days

The material of the grab rail and its well-designed shape and surface provide a stable grip even if your hands or the handles are wet. The triangular shape and the thumb support also make you feel safer.



Etac Flex fits perfectly in the bathroom environment.

Etac Flex screw mount

- Grab rail Flex 30 cm white	81707110
- Grab rail Flex 60 cm white	81707120
- Grab rail Flex 90 cm white	81707130
- Extension Flex 30 cm white	81706110
- Grab rail Flex 30 cm grey	81707310
- Grab rail Flex 60 cm grey	81707320
- Grab rail Flex 90 cm grey	81707330
- Extension Flex 30 cm grey	81706310

Weight

0.35 kg per unit (0.77 lbs)

Maximum user weight

100 kg

Material

Polypropylene

Colour

White and Volcano grey

Etac Flex adhesive mount

- Grab rail Flex 30 cm white	81707210
- Grab rail Flex 60 cm white	81707220
- Grab rail Flex 90 cm white	81707230
- Extension Flex 30 cm white	81706210
- Grab rail Flex 30 cm grey	81707410
- Grab rail Flex 60 cm grey	81707420
- Grab rail Flex 90 cm grey	81707430
- Extension Flex 30 cm grey	81706410



Clean the product with a solvent-free cleaning agent (pH level 5-9), or with a 70% disinfectant solution. Can be decontaminated at max 85°C / 185°F if so required.



Note: To add one or more grab rail to a 30 cm, 60 cm or 90 cm combination, it is necessary to use the Etac Flex Extensions.

Features



Easy to adjust

The modular system can easily be assembled into a length and shape that suits you and your bathroom.



Secure grip

The well-designed shape and surface of the grab rail provide a stable grip even if your hands are wet.



Creating Possibilities

You can connect as many grab rails as you want and choose the angles that suit you. This creates possibilities.



Attach in two ways

Attach with screws or adhesive. The latter is perfect for those who cannot or do not want to drill in the bathroom.



Etac Flex offers a wide range of positioning options when connecting grab rails. Choose the angle between -90° to +90° that suits your need.



Etac Edge, Easy and Smart shower stools

A variety of small and handy shower stools. All stools have soft contoured seats with a non slip pattern and oval drainage holes. These features provide stable and comfortable seating. Choose depending on shower space, function or taste.



Etac Edge shower stool

Fits perfectly in the corner of the shower where the walls provide back stability for the user. Etac Edge can also be used the other way around as a saddle seat which relieves the strain on an aching hip. Also available in a Low version.

Etac Easy shower stool

Easy to use, easy to move. A round seat is always in the right position. Also available with a swivel pad.

Etac Smart shower stool

Just as comfortable whether sitting on the long or short side. Also available with a Swivel pad and in a Low version which can be used as a bath seat. The Low stools are also perfect to use in a care situation.



Features



Easy to fit
The push button lock function makes it easy to both fit and remove the legs.



Stability
To ensure stability, the legs are angled outwards. This means that the higher the seat, the larger the footprint.



Easy and safe
The oval shape prevents the telescopic legs from turning when adjusting the height.



Ferrules with a firm grip
The ferrules squeeze away the water and adapt perfectly to the floor.

Accessories



Seat pads
Edge: 81801132
Smart: 80209502
Easy: 80209501
The non-slip seat pads provide an instant warm feeling and are water resistant.



Etac Easy and Smart with Swivel pad enables easy turning without any friction. Removable for cleaning. Material: Polyethylene. Cleaning at max. 60°C (140°F).

Etac shower stools

Edge shower stool
Easy shower stool
Smart shower stool

Grey	Blue	Grey Low	Grey, with Swivel pad
81801010	81801030	81801040	
81901010	81901020		81901050
81951010	81951020	81951030	81951050

Dimensions Edge

Total width: 52 cm (20½")
Seat width: base max 45 cm (17¾")
Seat height Edge: 42–57 cm (16½–22½")
Seat height Edge Low: 34.5–42 cm (13½–16½")

Dimensions Easy

Footprint: 49,5–53,5 cm (19½–21")
Seat width: ø 40 cm (ø 15¾")
Seat height: 42–57 cm (16½–22½")

Dimensions Smart

Footprint: 45.5–46,5 x 41–43 cm (18–18¼ x 16¼–17")
Seat width: 43–38 cm (17–15")
Seat height: 42–57 cm (16½–22½")
Seat height Smart Low: 34.5–42 cm (13½–16½")

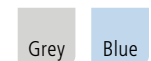
Materials

Seat: Polypropylene
Legs: Aluminium, polyamide
Ferrules: TPE
Swivel pad: Polyethylene

Weight

Edge: 2.6 kg (5.7 lbs)
Edge Low: 2.4 kg (4.4 lbs)
Easy: 2.8 kg (6.2 lbs)
Smart: 3.2 kg (7.1 lbs)
Smart Low: 3 kg (6.6 lbs)

Colours



Max. user weight

Smart and Easy: 150 kg (330 lbs)
Edge: 130 kg (287 lbs)



Clean the product with a solvent-free cleaning agent (pH level 5–9), or with a 70% disinfectant solution. Can be decontaminated at max. 85°C / 185°F if so required.

Etac Swift shower stool/chair

Swift is a prize-winning series of shower stools/chairs designed with functionality and simplicity in mind. The basic shower stool can easily be transformed to a complete shower chair, by adding arm- and back supports.

Stable on any floor

Etac Swift has a unique design that adapts to uneven floors thanks to the flexible seat. The soft, high quality ferrules adapt to the floor and ensure a good grip. These features contribute to the users safety.

Changes with the circumstances

Swift is adaptable to different needs. It is possible to start using the shower stool and add arm supports and back support if the circumstances change. Swift is easy to adjust to the required height with the telescopic legs. It can be set one step lower at the front for a slightly forward tilted seat to facilitate standing up. Soft pads which are specially suited for showering are available should extra comfort be needed.

Easy to handle

Swift is easy to handle thanks to its light weight. It comes flat-packed and is assembled without the need for any tools. Swift is also corrosion free and comes with a 5 year warranty!



Features



Easy to fit
The push button lock function makes it easy to both fit and remove the legs.



Ferrules with a firm grip
The ferrules squeeze away the water and adapt perfectly to the floor.



Firm grip possibilities
Without arm supports, the openings enable a stable grip.



Safe surface
The surface structure ensures a safe, non slip seat, even when wet.



Etac Swift shower stool



Etac Swift shower chair with back and arm supports



Etac Swift shower stool Low with back and arm supports

Accessories



Back support
Green: 81701120
Grey: 84005069
Blue: 84005071



Back support pad
Green: 81701130
Grey: 84005072
The non-slip pad provides an instantly warm feeling and is water resistant. Material: polyethylene. Cleaning at max. 60°C (140°F)



Soap dish
Green: 81701140
Grey: 80209266
Blue: 81701340



Arm supports pair
Green: 81701110
Grey: 84005074
Blue: 84005075

Seat pad
Green: 81701132
Grey: 84005073
The non-slip pad provides an instantly warm feeling and is water resistant. Material: polyethylene. Cleaning at max. 60°C (140°F)

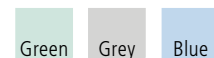
Etac Swift

	Green	Grey	Blue
– shower stool	81701010	81701410	81701510
– shower chair with back and arm supports	81701030	81701430	81701530
– shower stool Low		81701450	
– shower chair Low w. back and arm supports		81701460	

Weight

Swift shower stool: 3.1 kg (6.8 lbs)
Swift Low shower stool: 2.9 kg (6.4 lbs)
Swift shower chair: 4.7 kg (10.4 lbs)
Swift Low shower chair: 4.5 kg (8.8 lbs)

Colours



red dot



Clean the product with a solvent-free cleaning agent (pH level 5–9), or with a 70% disinfectant solution. Can be decontaminated at max. 85°C / 185°F if so required.

Dimensions

Total height with back supports: 80–95 cm (31½–37½")
Total height Swift Low with back supports: 72.5–80 cm (28½–31½")
Total width, stool: 54 cm (21¼")
Total width, with arm supports: 54.5 cm (21½")
Total depth: 50 cm (19¾")
Total depth Swift Low: 46.5 cm (18")
Width between arm supports: 45 cm (17¾")
Seat height: 42–57 cm (16½–22½")
Seat height Swift Low: 34.5–42 cm (13½–16½")
Seat area: 54x41cm (21¼ x 16¼")

Material

Polypropylene, aluminium



Etac Rufus folding shower chair

Practical foldability

Rufus can be folded up to save space when not in use or when being transported. The seat can be adjusted in height and also be set with a slight anterior tilt which facilitates standing up. The soft back support adapts to the users back.

Rufus comes flat-packed. Simply unfold, hook the seat in position, adjust the height and it is ready to use. No tools are required.



Accessory

Cross bar, 60.5 cm (24")
80303034

Description

Rufus folding shower chair 81208013

Material

Seat: Polypropylene
Frame: Powder-painted steel tubing
Back strap: Polyester

Dimensions

Total height: 73–93 cm (28¾–36½")
Total width: 58 cm (22¾")
Total depth: 44.5–47 cm (17¼–23½"),
folded 12 cm (4¾")
Seat height: 45–60 cm (28¾–36½")
Seat area: 41x40 cm (16¼ x 15¾")
Width between arm supports:
52 cm (20½")

Weight

6.5 kg (14.3 lbs)



Clean the product with a solvent-free cleaning agent (pH level 5–9), or with a 70% disinfectant solution. Can be decontaminated at max. 85°C / 185°F if so required.

Etac Rufus Plus shower chair

Rufus Plus shower chair has a capacity of 200 kg (441 lbs). The soft back support adapts to the users back. To facilitate standing up, the seat can be set with a slight anterior tilt. Rufus Plus comes flatpacked and is easy to assemble.



Description

Rufus Plus shower chair 81208015

Material

Frame: Powder-painted steel tubing
Cross bar: Aluminium
Seat: Polypropylene with embedded aluminium tubing
Back strap: Polyester

Dimensions

Total height: 89 cm (35")
Total width: 62 cm (24½")
Total depth: 47 cm (18½"),
folded 12 cm (4¾")
Seat height: 55.5 cm (21¾")
Seat area: 41x40 cm (16¼ x 15¾")
Width between arm supports:
56 cm (22")

Weight

6.5 kg (14.3 lbs)



Clean the product with a solvent-free cleaning agent (pH level 5–9), or with a 70% disinfectant solution. Can be decontaminated at max. 85°C / 185°F if so required.



Visit www.etac.com for information about our 5 year warranty.

Shower and Toileting

Etac has a number of mobile shower commode chairs to choose from. They are all well designed with many smart functions which make daily tasks easier for both users and carers.

Etac Clean

Etac Clean is secure, safe and simple for both users and carers. With practical functionality and design, every detail of the chair has been developed to give the user a positive and safe bathroom experience.

Easy to fit and manoeuvre

Etac Clean is extremely easy to operate, thanks to the width of the push handle. The clever design can be seen throughout the entire chair. The upright handle ensures that Clean is a perfect fit, even over wall-mounted toilets, and the chair is open at the back to facilitate access.

Comfortable and practical foot support

The foot support is unique and can be pushed under the seat when not in use. The soft curved surface provides good comfort for the feet, which are also protected by the foot support's side protection.

All other variants of Clean also have these features, but with additional functionality to meet other needs.



Features



Slim but roomy
The smart design gives Etac Clean a large and comfortable seating area even though the chair is neat and slim.



Fits over the toilet
Thanks to the upright operating handle, the chair is a perfect fit, even over wall-mounted toilets.



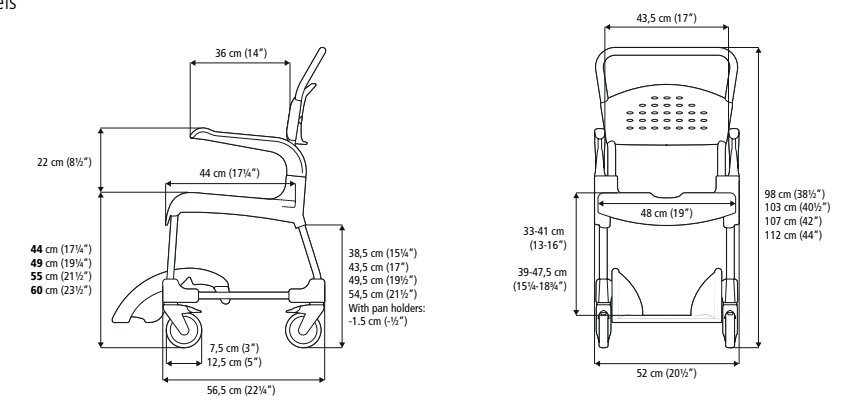
Easy access
The chair is open at the back to facilitate access for hygiene purposes.



Foot support designed for feet
The practical foot support has a soft, rounded shape which gives the feet extra comfort and protection.

Accessories

See our wide range of accessories "Accessories for all Clean models" on page 26-27



Etac Clean shower commode chair

44 cm (17 1/4"), 4 lockable castors	80229269	80229209
49 cm (19 1/4"), 4 lockable castors	80229270	80229210
49 cm (19 1/4"), 2 lockable castors	80229273	80229213
49 cm (19 1/4"), 4 lockable wheels, backrest upholstery, panholder	80229286	-
49 cm (19 1/4"), 2 lockable castors, soft back	80229305	-
55 cm (21 3/4"), 4 lockable wheels, backrest upholstery, panholder	80229287	-
55 cm (21 3/4"), 4 lockable castors	80229271	80229211
55 cm (21 3/4"), 2 lockable castors	80229274	80229214
55 cm (21 3/4"), 2 lockable castors, soft back	80229306	-
60 cm (23 1/2"), 2 lockable castors incl. heightening spacers	80229275	80229215

Etac Clean shower commode chair - double box

49 cm (19 1/4"), 4 lockable castors, double box	80229283	80229220
49 cm (19 1/4"), 2 lockable castors, double box	80229281	80229223
55 cm (21 3/4"), 4 lockable castors, double box	80229282	80229221
55 cm (21 3/4"), 2 lockable castors, double box	80229284	80229224

Weight

44 cm: 13.5 kg
49 cm: 14.0 kg
55 cm: 14.5 kg
60 cm: 15 kg

Maximum user weight

130 kg

Material

Chassis: Powder-painted steel tubing
Seat/back support: Polypropylene
Arm supports: Polypropylene
Foot support: Polypropylene
Castor brackets: Polyamide
Castors, lockable, ball-bearing:
Polyamide/TPE

Maintenance

Clean the product with a solvent-free cleaning agent (pH level 5-9), or with a 70% disinfectant solution. Can be decontaminated at max 85° C / 185° F if so required.



Etac Clean Height Adjustable

In addition to all the features of the basic model, this variant allows you to adjust the height of the seat.

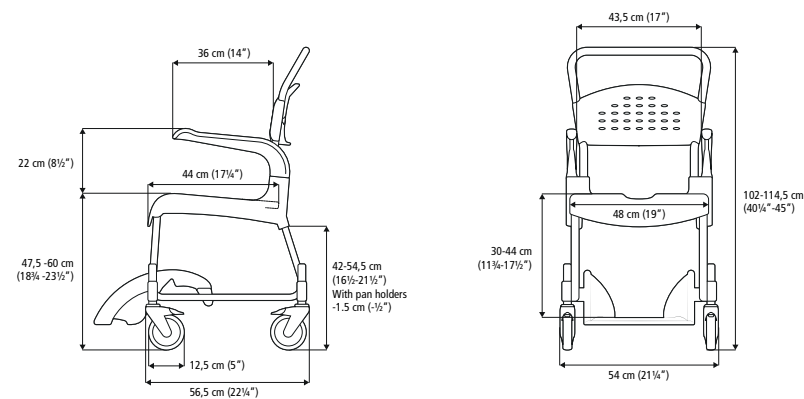
Adjust the height for a perfect fit

The possibility of adjusting the seat height means that Etac Clean Height Adjustable can be tailor-made to suit the user's needs – for example to make transfers easier or to fit perfectly over the toilet. Adjustment is simple and no tools are required.

Etac Clean Height Adjustable has the same basic benefits as the other members of the Clean family – but is also height-adjustable up to 60 cm, and has a greater range of foot supports and calf supports.

Accessories

See our wide range of accessories "Accessories for all Clean models" on page 26-27



Etac Clean Height Adjustable

4 lockable wheels, white 80229208

Weight

14.2 kg

Maximum user weight

130 kg

Material

Chassis: Powder coated steel tubing
 Seat/Back support: Polypropylene
 Arm supports: Polypropylene
 Foot support: Polypropylene
 Castors with ball, bearings: Polyamide/TPE/Stainless steel tubing
 Castor height adjustment tubes: Stainless steel

Maintenance

Clean the product with a solvent-free cleaning agent (pH level 5–9), or with a 70% disinfectant solution. Can be decontaminated at max 85°C / 185°F if so required.



Etac Clean Comfort

All the features of Etac Clean can also be found in this chair, but with even greater comfort. The seat, arm support and back support are padded and guarantee soft and comfortable seating.

Soft and warmth for those who need it

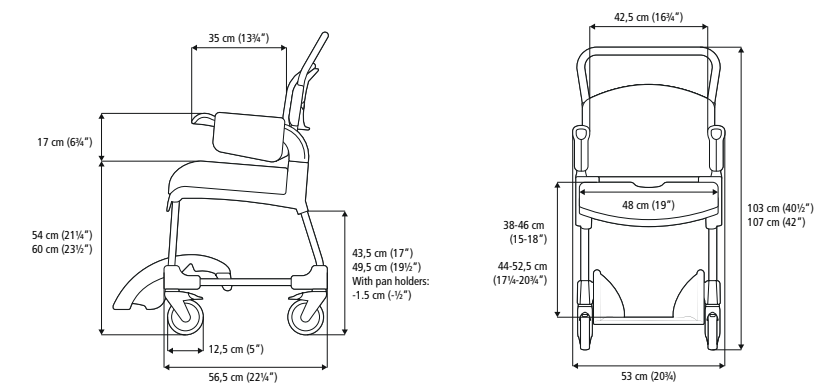
Etac Clean Comfort enhances the feeling of well-being for those who need a little extra comfort and support in the bathroom. The water-repellent and heat-reflective cover of the back support and arm supports helps the user to stay warm. The contoured seat offers comfortable support for the thighs and envelops the user for a safer and more comfortable feeling.

Etac Clean Comfort has the same basic benefits as other members of the Clean family – but now with even greater comfort.



Accessories

See our wide range of accessories "Accessories for all Clean models" on page 26-27



Etac Clean Comfort

49 cm (19 1/4"), incl. Comfort Cover, Comfort Seat Soft, 4 lockable castors, white
 55 cm (21 3/4"), incl. Comfort Cover, Comfort Seat Soft, 4 lockable castors, white

80229298
 80229299

Opening: depth x width

36.9 x 18.2 cm

Weight

49 cm: 13.5 kg
 55 cm: 14 kg

Maximum user weight

130 kg

Material

Comfort Cover: Polyethylene
 Comfort Seat Soft: Polyurethane
 Chassis: Powder-painted steel tubing
 Seat/back support: Polypropylene
 Arm supports: Polypropylene
 Foot support: Polypropylene
 Castor brackets: Polyamide
 Castors, lockable, ball-bearing: Polyamide/TPE

Maintenance

Clean the product with a solvent-free cleaning agent (pH level 5–9), or with a 70% disinfectant solution. Can be decontaminated at max 85°C / 185°F if so required.





Etac Clean 24"

This variant of Etac Clean is suitable for those who can operate the chair independently and want to maximise their mobility.

Easy to manoeuvre, for the independent user

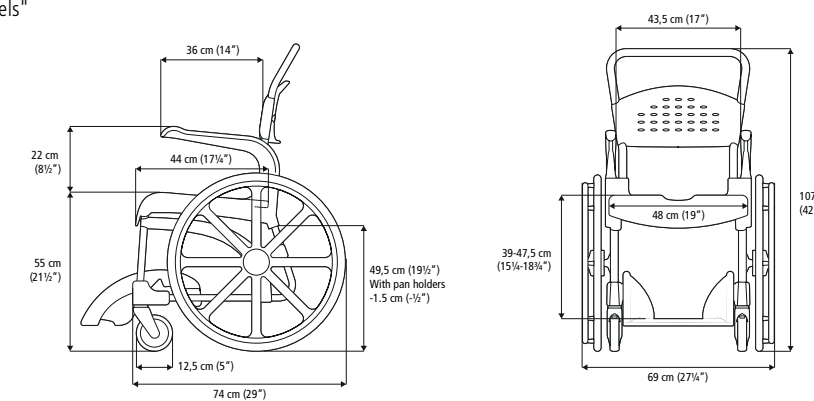
The Etac Clean 24-inch wheels are positioned to make it easy to manoeuvre the chair without compromising user safety or comfort. It is easy to transfer to and from the chair thanks to the large, unrestricted seat in front of the wheels. The brake handles are also positioned below the seat so that they do not get in the way during transfer, while remaining easy to reach.

Etac Clean 24" has the same basic benefits as the other members of the Clean family – but allows the user to operate the chair independently.



Accessories

See our wide range of accessories "Accessories for all Clean models" on page 26-27



Etac Clean 24"

55 cm (21 3/4") with 24" rear wheels, white
55 cm (21 3/4") with 24" rear wheels, lagoon green

80229276
80229216

Weight
20 kg

Maximum user weight
130 kg

Material
Rear wheel adapter: aluminum
Rear wheels: polyamide, solid tires
Chassis: Powder-painted steel tubing
Seat/back support: Polypropylene
Arm supports: Polypropylene
Foot support: Polypropylene
Castor brackets: Polyamide
Castors, ball-bearing: Polyamide/TPE

Maintenance
Clean the product with a solvent-free cleaning agent (pH level 5–9), or with a 70% disinfectant solution. Can be decontaminated at max 85°C / 185°F if so required.



Self propelled

Easy to operate for the independent user.

Safe and simple transfer

The flat seat and the brake position facilitate lateral transfer.

Accessories



Soft back support
80209225
Adjustable.
Washing at max 60°C (140°F).



Soft pad
Grey: 80209260
Heat-reflecting with a non-slip surface. Recess width: 17 cm (6¾").
Material: polyethylene.
Cleaning max max. 60° C (140 °F) or with alcohol wipe.



Side Support
80209509
Adjustable in width. Material: Polyester fabric, Velcro, polyethylene.
Washing at max. 60°C (140°F).
Can not be used in combination with: 80209225.



Soft back pad
Grey: 80209261
Heat-reflecting with a non-slip surface. Material: polyethylene.
Cleaning max. 60° C (140 °F) or with alcohol wipe.



Crossbar
80209246
Attached to the arm supports.
Material: Aluminium, cellular polyethylene, polypropylene.
Can not be used in combination with: 80209228, 80209237 and 80209226.



Seat cover
80209247
When a complete seat is required.
Material: Polyurethane.
Cleaning max. 85° C (185°F) or with alcohol wipe.



Chest harness strap
80209442
Adjustable in length. Attach to soft back support. Material: Polyester.



Comfort Kit
80209237
Includes both Comfort Seat Soft and Comfort Cover. Cleaning max. 60° C (140 °F) or with alcohol wipe.
Can not be used in combination with: 80209225 and 80209246.



Positioning belt
80209440
Adjustable in length. Attachment with velcro straps.
Material: Polyester.



Comfort Cover
80209228
A soft back support with integrated arm support pads. Material: polyethylene. Cleaning max. 60° C (140 °F) or with alcohol wipe.
Can not be used in combination with: 80209225 and 80209246.



Safety strap
80209034
Attachments on the rear side of the back support. Always use together with positioning belt. Material: Polyester. *Can not be used in combination with: 80209225.*



Comfort Arm Pads
80209226
Soft and warm, leaving the handles free to ensure a firm grip when standing up. Material: polyethylene. Cleaning max. 60° C (140 °F) or with alcohol wipe. *Can not be used in combination with: 80209246.*



Cushion, protect
80209245
Air-inflated ROHO cushion with excellent pressure distribution properties. Adjustable air pressure. Recess width: 21 cm (8¼"). Material: Neoprene. Cleaning max: 60° C (140°F).



Comfort Seat Soft
Small opening width 15 cm (6"): 80209301
narrow opening width 18 cm (7"): 80209227
A soft contoured seat. Material: polyurethane. Cleaning max. 85° C (185°F) or with alcohol wipe.

Accessories



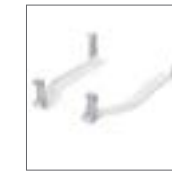
Soap dish (does not fit Clean 24")
Grey: 80209266
Attaches to the side of the seat. Built-in shower handle holder. Material: Polypropylene. (Does not fit Clean 24")



Bucket holder
Grey: 80209258
Fits Bucket with handle and lid and other buckets with a thick rim. Material: Polypropene.



Pan
Grey: 80209254
Material: polypropylene.



Attachment for low mounting of pan/bucket
Grey: 80209259
Fitted to the pan/bucket holder. Lowers the pan/bucket holder with 6 cm (2½"). Material: Polypropene.

Pan incl. lid with handle
Grey: 80209255
Material: Polypropylene.



Pan holder
Grey: 80209257
Fits both pan, bedpan and regular hospital pans with a thin rim.



Disposable pans
80209282
Strong and firm. 50 pcs.



Bucket with handle and lid
80302026
The bucket holder is not included. Material: Polypropylene.



Disposable pan holder kit
Grey: 80209229
Fits Disposable pan.

Additional accessories – Clean Height Adjustable only



Flip up foot supports
80209250
Removable, adjustable height. Attachments included. Material: powder coated aluminum and polypropylene foot supports.



Elevating leg support
Right: 80209252
Left: 80209253
Attachments included. Material: ABS plastic, stainless.

Additional accessories – Clean 49 and 55 cm only



Rear wheel adapter
White: 80209262
Material: Aluminium, polyamide.



Heightening kit with wheels
White, 4 pcs: 80209511
Lagoon green, 4 pcs: 80209512
Raise the seat by 5 cm (2"). Material: Polyamide, TPE, aluminium.



75 mm (3") castors
White, front, pair: 80209515
White, back pair: 80209516
Lagoon green, front, pair: 80209513
Lagoon green, back, pair: 80209514
Reduce seat height by 5 cm (2"). Mounted on Clean 44 cm as standard. Material: polyamide, TPE, aluminium.

Etac Swift Mobile shower commode

A modern shower commode chair available in several models appreciated for its versatility.



The seat is detachable for easy cleaning.

Various models

Etac Swift Mobile is available in three versions. Swift Mobile, Swift Mobile 160 with increased weight capacity and Swift Mobile 24" which is equipped with 24" rear wheels. All have the same characteristic design and functions.

Back support with maximum comfort

The soft back support is adjustable using velcro straps. The material is carefully chosen so it does not stick to the body. It dries quickly and can easily be removed for cleaning. To prevent the back support from sliding, it is fixed at the top to the bow handle.

Choose seat height

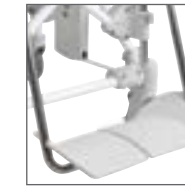
The seat height can easily be set, without using tools. Most common is that the height is set to fit over the toilet. But also consider the user's transfer to and from the chair and the care giver's work situation.

Features



Adjustable back support

The back support can be adjusted using velcro straps.



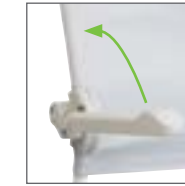
Ergonomic foot supports

The gently curved foot support ensures comfort and stability.



Easy to adjust the height

Swift Mobile can be adjusted to different fixed seat heights. It is easily done from both sides without using tools.

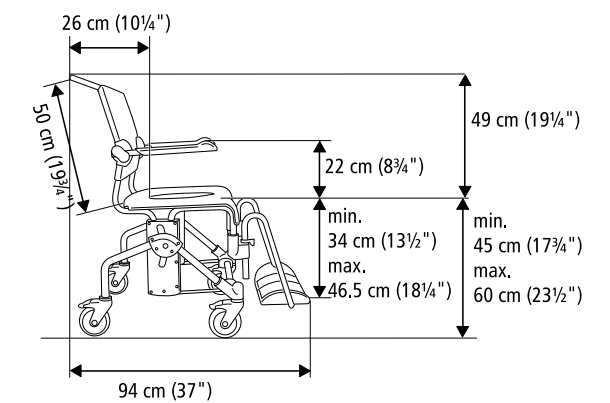


Foldable arm supports

The arm supports are foldable to facilitate side transfer. If needed they can be locked in a folded down position with a locking device (accessory).

Accessories

See our wide range of accessories "Accessories for all Swift Mobile models" on page 36



Description

Swift Mobile, part assembled	80209400
Swift Mobile, assembled	80209401
Swift Mobile, part assembled w. bucket holder	80209404
Swift Mobile, part assembled w. pan holder	80209405
Swift Mobile, assembled w. pan holder	80209406
Standard: back support, seat, arm supports, foot supports and 4 lockable castors	

Material

Chassis: powder painted steel
 Seat/Arm supports: polypropylene
 Back support: polyester/Velcro
 Foot support: polypropylene
 Castors: polyamid/TPE, lockable, ball bearing.

Dimensions

Total width: 58 cm (22 3/4")
 Width between arm supports: 48 cm (19")

Weight

16.5 kg (36.6lbs)



Clean the product with a solvent-free cleaning agent (pH level 5–9), or with a 70% disinfectant solution. Can be decontaminated at max. 85°C / 185°F if so required.



Etac Swift Mobile XL 160

With increased weight capacity and more space between the arm support.



Increased weight capacity

Etac Swift Mobile XL 160 has all the benefits of Swift Mobile; foldable arm supports, adjustable back support, ergonomic foot support and seat height adjustability. In addition Swift Mobile 160 is sturdy enough to handle a user weight of 160 kg (353 lbs).

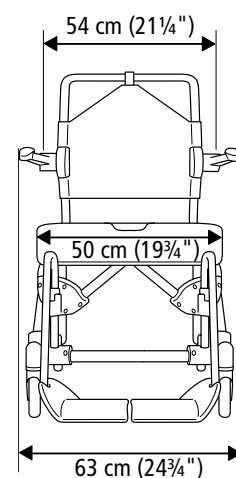
Easy to customize

All accessories available for Swift Mobile also fit the Swift Mobile XL 160 model.



More space

Swift Mobile 160 has 6 cm (2½") additional space between the arm supports.



Description

Swift Mobile 160	80209420
Swift Mobile 160 w. bucket holder	80209421
Swift Mobile 160 w. pan holder	80209422
Standard: back support, seat, arm supports, foot supports and 4 lockable castors	

Material

Chassis: powder painted steel
 Seat/Arm supports: polypropylene
 Back support: polyester/Velcro
 Foot support: polypropylene
 Castors: polyamid/TPE, lockable, ball bearing

Dimensions

For other dimensions see "Etac Swift Mobile shower commode" illustration on page 29.

Weight

17.3 kg (38.1 lbs)



Clean the product with a solvent-free cleaning agent (pH level 5–9), or with a 70% disinfectant solution. Can be decontaminated at max. 85°C / 185°F if so required.



Etac Swift Mobile 24"

A perfect solution for the independent user.

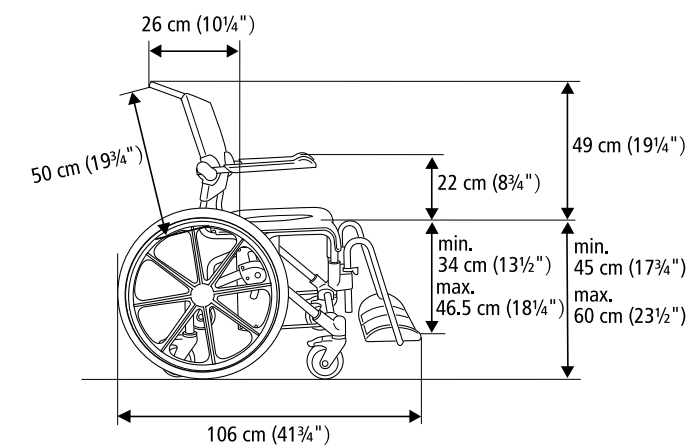
Facilitates side transfers

Etac Swift Mobile 24 is easy to use and propel. The rear wheels are perfectly placed to be easy to reach and give the chair high manoeuvrability.

The seat offers sufficient space in front of the wheels to make a safe side transfer. Swift Mobile 24 also offers seat height adjustment, just as the other Swift Mobile models.



A basic Swift Mobile with four castors can be remodelled to a Swift Mobile 24" by assembling the accessory "Rear Wheel Kit". See page 35.



Accessories

See our wide range of accessories "Accessories for all Swift Mobile models" on page 36

Description

Swift Mobile 24" assembled	80209402
Swift Mobile 24" assembled, incl. pan holder	80209408
Swift Mobile 24" incl. bucket holder	80209407

Standard: back support, seat, arm supports, foot supports and 4 lockable castors, rear wheels 24", brakes.

Dimensions

Total width: 74 cm (29")
 Width between arm supports: 48 cm (19")

Material

Rear wheels: solid tyres, polyamid, ball bearing
 Brakes: polyamid, stainless steel
 Other material: see page 28

Weight

24.4 kg (53 lbs)



Clean the product with a solvent-free cleaning agent (pH level 5–9), or with a 70% disinfectant solution. Can be decontaminated at max. 85°C / 185°F if so required.



Etac Swift Mobile Tilt

With a unique tilt in space function.

Etac Swift Mobile Tilt is available in two models. Both have manually operated tilt functions but with different weight capacity. They all have the same characteristic design and functions as Etac Swift Mobile, page 28. As an option Swift Mobile Tilt can be equipped with a power unit for the tilt function.

Tilting operated from the side

Etac Swift Mobile Tilt has the unique function which enables tilt manoeuvring from the side. This gives the best conditions for an ergonomically correct work position for the carer. It also enables eye contact and communication with the care recipient during the tilting process.

Assisted restoring to an upright position

The gas pistons work to facilitate bringing the seat into an upright position. When tilting, the user's body weight will act as counterweight and make the movement smooth. This reduces the risk of carers suffering work related injuries. The seat height can be set in various fixed positions and it's done without using tools.



A tilted position increases stability and facilitates in care situations.

Power tilt function for easy and smooth manoeuvre

Etac Swift Mobile Tilt can be equipped with a power unit to control the tilt function which is maneuvered with a practical hand control. This means that the user is also able to control the tilt function. The Power unit occupy very little space, which means that the shower stool can still be positioned over the toilet. The chair is approved to be used in the shower and a separate battery charger is included.



Features



Unique tilt bar

The bar for the tilt mechanism is easy to reach from either side.



Head Support

The adjustability ensures a comfortable and restful support.



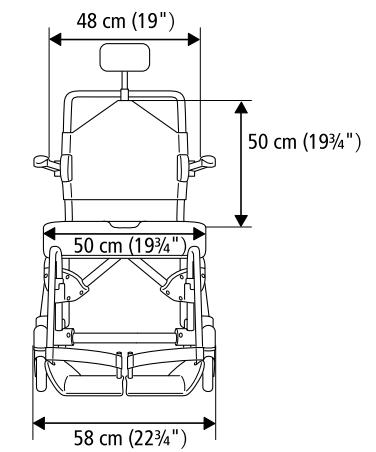
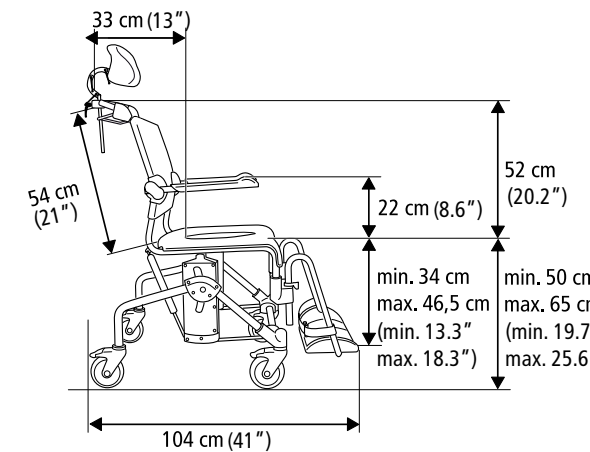
Close contact during the tilting process

The unique tilt function enables an ergonomically correct working position for the carer who is able to maintain eye contact with the care recipient.



Power tilt unit

Enables a better working environment. Smooth manoeuvring with a practical hand control.



Accessories

See our wide range of accessories "Accessories for all Swift Mobile models" on page 36

Description Etac Swift Mobile Tilt

Swift Mobile Tilt	80209410
Swift Mobile Tilt with bucket holder	80209411
Swift Mobile Tilt with pan holder	80209412
Swift Mobile Tilt with power unit	80209490
Swift Mobile Tilt with power unit incl. bucket holder	80209491
Swift Mobile Tilt with power unit incl. pan holder	80209492

Standard: head support, back support, arm supports, seat, foot supports, heels traps, and 4 lockable castors.

Dimensions

Adjustable tilt in space: 0° to -35° can be set to +5° to -30°

Material

Gas pistons: lift capacity 130N
Other material: see "Etac Swift Mobile shower commode" on page 28

Weight

19.7 kg (43.4 lbs)
With power unit: 23.6 kg (52 lbs)



Clean the product with a solvent-free cleaning agent (pH level 5-9), or with a 70% disinfectant solution. Can be decontaminated at max. 85°C / 185°F if so required.

Etac Swift Mobile Tilt XL 160

Swift Mobile Tilt XL 160 has all the benefits of Swift Mobile Tilt and is in addition sturdy enough to handle a weight of 160 kg (353 lbs).

Tilting operated from the side

Swift Mobile Tilt has the unique function which enables tilt manoeuvring from the side. This gives the best conditions for an ergonomically correct work position. It also enables eye contact and communication with the care recipient during the tilting process.

Assisted restoring to an upright position

The gas pistons work to facilitate bringing the seat into an upright position. When tilting, the user's body weight will act as counterweight and make the movement smooth. This reduces the risk of carers suffering work related injuries. The seat height can be set in various fixed positions and it's done without using tools.



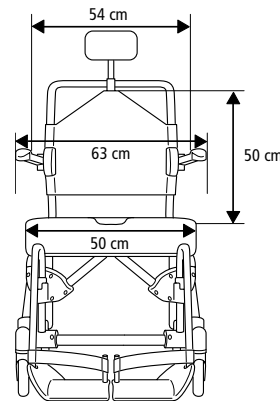
Accessories

See our wide range of accessories "Accessories for all Swift Mobile models" on page 36



More space

Swift Mobile 160 has 6 cm (2½") additional space between the arm supports.



Description

Swift Mobile Tilt 160 80209480
 Swift Mobile Tilt 160 with bucket holder 80209481
 Swift Mobile Tilt 160 with pan holder 80209482
 Standard: head support, back support, arm supports, seat, foot supports, heels traps, and 4 lockable castors.

Dimensions

Total width: 63 cm (24¾")
 Total length: 104 cm (41")
 Adjustable tilt in space: 0° to -35° can be set to +5° to -30°
 Adjustable seat height: 50-65 cm (19¾-25¾")
 Width between arm supports Swift Mobile Tilt 160: 54 cm (21¼")

Material

Gas pistons: lift capacity 130N
 Other material: see page 28

Weight

20.4 kg (45 lbs)



Clean the product with a solvent-free cleaning agent (pH level 5-9), or with a 70% disinfectant solution. Can be decontaminated at max. 85°C / 185°F if so required.



Accessories for all Swift Mobile models



Head Support

80209447

Complete with attachment. Adjustable in height, depth and sideways. Standard on tilt models.

Material: polyurethane, stainless steel and zinc. Cleaning max. 85° C (185°F) or with alcohol wipe.



Arm supports widening kit

Pair: 80209441

Increases the space between the arm supports by 6 cm (2½"). Standard for Swift Mobile/Tilt 160.



Hemi Arm Support

Pair: 80209035

Fits both left and right side. Material: Cellular polyethylene, aluminium, stainless steel, polystyrene.



Arm supports lock

Pair: 80209445

Locks the arm supports in down-folded position. Material: Stainless steel.



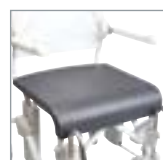
Soft Back Pad

80209448

Warm, soft and water repellent.

Material: Polyethylene

Cleaning max. 60° C (140°F) or with alcohol wipe



Seat cover

80209434

When a complete seat is required.

Material: Foamed polyurethane.

max. 85° C (185°F) or with alcohol wipe



Soft Comfort seat

Opening width 15 cm (6"): 80209507

Opening width 18 cm (7"): 80209506

Material: Polyurethane

Cleaning at max 85°C (185°F) or with alcohol wipe.



Cushion, Protect

80209245

Air-inflated ROHO cushion with excellent pressure distribution properties. Adjustable air pressure. Recess width: 21 cm (8¼").

Material: Neoprene

Cleaning max: 60° C (140 °F)



Comfort Cover

80209455

A soft back support with integrated arm support pads.

Material: polyethylene.

Cleaning max. 60° C (140 °F) or with alcohol wipe.



Comfort Kit

80209457

Includes both Comfort Seat and Comfort Cover.

Cleaning max. 60° C (140 °F) or with alcohol wipe.



Comfort arm pads – pair

80209508

The pads provide a soft support for the arms.

Material: polyethene

Cleaning max. 60° C (140 °F) or with alcohol wipe.



Side support

80209509

Adjustable in width.

Material: Polyester fabric, Velcro, polyethylene.

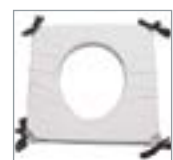
Cleaning at max 60°C (140°F)



Soft cushion with standard opening

80209065

Material: Polyether/Sealed coated cover



Soft cushion with oval opening

80209067

Material: Polyether/Sealed coated cover



Chest harness strap

80209442

Adjustable in length. Attach to back support. Always use together with positioning belt.

Material: Polyester



Cross bar

Length: 60.5 cm (24"): 80303034

Length: 66.5 cm (26"): 80209452

For safety and additional support.

Material: Aluminium, polypropene and cellular polyethylene. Notice: 66.5 cm is for Swift Mobile 160 and Swift Mobile Tilt 160.



Positioning belt

80209440

Adjustable in length. Attachment with velcro straps.

Material: Polyester



Splash Guard

80209430

Fits into the recess opening. To be placed when user sits in the chair.

Material: Polyurethane



Attachment for pan/bucket holder

Set: 80209435

To be mounted underneath the seat.

Material: Polyamide.



Pan holder

80209257

Fits both Pan and regular hospital pans with a thin rim. Attachment required.

Material: Polyamide.



Pan

80209254

Pan, incl lid with handle

80209255

Material: Polypropylene.



Bed pan

82001001

Polyamide, able to withstand boiling.

Fits the Pan holder.



Bucket holder

80209258

Fits bucket with a thick rim. Attachment required.

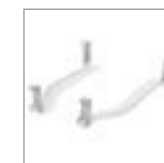
Material: Polypropene



Bucket with handle and lid

80302026

Material: Polypropylene



Attachment for low mounting of pan/bucket

80209259

Fitted to the pan/bucket holder.

Material: Polypropene



Amputee leg support

80209510

Adjustable height, length and angle. Fits both left and right side.



Elevating Leg- and calf support

80209437

Fits both left and right side.

Material: ABS



Foot support for leg- and calf support

80209443

Fits both left and right side. Foot support adjustable height in 6 positions.

Material: Stainless steel, polypropylene.



Leg support

1 piece: 80209446

Leg support with foldable and angle adjustable footplate. No heel strap included.



Heel straps

Pair: 80209432

Adjustable in length.

Material: Polyester



Anti tippers, pair

Excluding attachment for Swift Mobile 24": 80209438

Including attachment

(for Swift Mobile): 80209439

(for Swift Mobile Tilt): 80209459

Increases safety if the center of gravity is far back, e.g. leg amputations.

Material: Aluminium



Tilter

80209449

For easy transfer over thresholds and other obstacles



Rear wheel kit

80209436

24" rear wheels with solid tires. With built in attachment for anti tip.

Material: Polyamide, stainless steel.

Incl. attachment and brakes. Do not fit Swift Mobile 160 or Swift Mobile Tilt.



Power tilt unit

80209499

For Swift Mobile Tilt and Swift Mobile Tilt 160 only. Hand control and charger are included.

Etac Tripp Tilt

A perfect size for children, teenagers and slender adults.



A smooth chair with many functions

Tripp is a shower commode chair with the tilt mechanism on the left side. Tilting from the side ensures an ergonomically correct work position and enables eye contact during the tilting process.

The size of Tripp makes it the perfect shower commode chair for children, teenagers and slender adults. Furthermore, both seat and back support can easily be removed. This enables fitting of an individual seat unit.

Various Accessories

Tripp can be fitted with head support, positioning belt, pan and various soft pads to suit different needs. The removable splash guard and pan holder are included as standard.

The arm supports can be folded up and are lockable in the folded down position.

Description

Tripp Tilt 80209005
Standard: back support, seat, arm supports, flip-up foot supports, pan holder and splash guard

Dimensions

Total width: 54.5 cm (21½")
Width between arm supports: 36 cm (14¼")
Seat width: 38 cm (15")

Weight

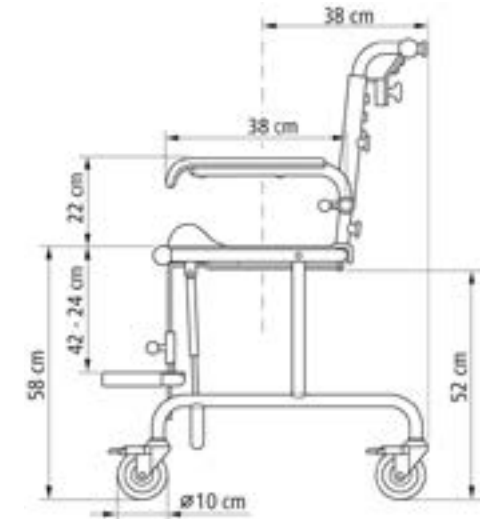
17 kg (37.5 lbs)
Adjustable tilt in space: 0° to -35°

Material

Chassis: Powder-painted steel tubing
Seat/back support: ABS plastic
Arm supports: Polyurethane
Foot supports: Polypropylene
Arm supports tubing and foot support bracket: Stainless steel
Castors, mounted in ball bearings, 2 lockable: Galvanized steel/rubber



Clean the product with a solvent-free cleaning agent (pH level 5-9), or with a 70% disinfectant solution. Can be decontaminated at max. 85°C / 185°F if so required.



Accessories



Head support
80209041
Height-adjustable.
Material: Polyurethane



Positioning belt
80209034
Can be fitted horizontally or diagonally. Adjustable in length.
Material: Polyester



Head Support, depth adjustable
84005084
Adjustable in height, depth and angle.
Material: polyurethane, stainless steel and zinc.
Cleaning max. 85° C (185°F) or with alcohol wipe.



Soft pad
80209047
Heat-reflecting with good anti-slip properties.
Material: Cellular polyethylene



Pan
80209031
Designed for a perfect fit to the seat.
Material: ABS



Soft seat cushion
80209066
Material: Polyether, coated woven fabric



Pan locker
80209049
Holds the pan in place when the shower chair is tilted.



Soft back pad
80209046
Heat-reflecting.
Attach on standard back support.
Material: polyethylene



Crossbar, 50 cm
80303035
For strain and seat support.
Material: Powder-painted aluminium profile/cellular polyethylene



Back cushion
80209042
Reduces the seat depth by 6 cm (2¼").
Material: Polyether, coated woven fabric



Visit www.etac.com
for information about
our 5 year warranty.

Toileting

With reduced mobility, it can be both painful and difficult to sit down and stand up. We offer a wide range of products for the toilet which ensure improved comfort and safety.

Etac Swift Commode

A three in one product, that can be used as a commode, shower chair or toilet seat raiser.

Comfortable and functional

Etac Swift Commode is comfortable and discreet in the bedroom. The seat pad conceals a removeable pan with a secure lid that locks automatically when lifted. Swift Commode can be set with a slight anterior tilt to facilitate standing up. The soft seat and back support paddings come as standard.

3 in 1

Swift Commode can also be used as a shower chair or as a freestanding toilet seat raiser. The soft ferrules give an excellent grip on all surfaces.

Easy cleaning

Swift Commode is designed with easy cleaning in mind. It has smooth surfaces, easy detachable padding and is non corroding. Important features that simplify cleaning. Swift Commode comes flat packed and is easy to assemble and height adjust, without using tools.



With the padding, Swift commode has a discrete design and is comfortable to use when dressing and undressing.



Integrated, self locking lid
The pan with a secure locking lid, fits smoothly and becomes one with the seat.

Accessory



Soap dish / Lid holder
80209266
Also handy for toilet paper
Material: polypropylene

Description

Swift commode 81702030

Dimensions

Total width: 56 cm (22")
Seat width: 54 cm (21¼")
Seat height 42–57 cm (16½–22½")
Width between the arm supports: 45 cm (17¾")

Material

Seat, back and arm supports: polypropylene
Legs: aluminum and polyamide
Ferrules: TPE
Back and seat pads: Polythylene with nylon fabric

Weight

5.4 kg (12 lbs)



Clean the product with a solvent-free cleaning agent (pH level 5–9), or with a 70% disinfectant solution. Can be decontaminated at max. 85°C / 185°F if so required.



Etac Swift Freestanding toilet seat raiser

Lightweight and easy to handle.

Excellent stability

Etac Swift Freestanding toilet seat raiser provides stable support. Its large footprint and soft, specially designed ferrules give an excellent grip to the floor.

Functionality

The seat is height adjustable and can be set with a slight anterior tilt. This facilitates standing up and relieves pressure on the hip joints. The legs can easily be taken off for car transportation.

Flexibility

Besides using the Swift Freestanding over the toilet, it can be used as a shower stool. Its light weight makes it easy to move. With complimentary accessories, the Swift Freestanding may also be used as a commode.



Etac Swift Freestanding has an integrated splash guard and smooth surfaces which enable easy cleaning.

Accessories



Back support
84005069
Material: Polypropylene



Soap dish /Lid holder
80209266
Material: Polypropylene



Soft Seat
84005064
Material: Polyethylene



Soft Back
84005065
Material: Polyethylene



Pan
without lid 84005066
with lid 84005068
Material: Polypropylene

Description

Swift Freestanding toilet seat raiser 81702020

Dimensions

Total width: 56 cm (22")
Seat width: 54 cm (21¼")
Seat height: 42–57 cm (16½–22½")
Width between the arm supports: 45 cm (17¾")

Material

Seat and arm supports: polypropylene
Legs: Aluminum and polyamide
Ferrules: TPE

Weight

3.9 kg (8.6 lbs)



Clean the product with a solvent-free cleaning agent (pH level 5–9), or with a 70% disinfectant solution. Can be decontaminated at max. 85°C / 185°F if so required.



Etac Kaskad Freestanding toilet seat

A classic and functional toilet seat raiser.

Stackable and adjustable

Etac Kaskad has a fixed, stackable frame which is adjustable in height. The arm supports provide stability when sitting down or standing up. The removable splashguard comes as standard.



Kaskad is easy to stack.



The front angled legs provide good stability

Accessories



Bucket with handle and lid
80302026
The bucket holder is not included.
Material: Polypropylene



Bucket holder
80302025
For bucket with handle.
Material: powder coated steel



Plastic Bucket
80302023
Fits without bucket holder.
Material: Polypropylene

Description
Kaskad 80302012

Dimensions
Total depth: 47 cm (18½")
Total width: 56.5 cm (22¼")
Widths between the arm supports: 55.5 cm (21¾")
Height: 81 cm (32")
Seat height adjustability: 45 – 57 cm (17¾ - 22½")

Material
Frame: Powder-coated tubular steel
Toilet seat: Polypropylene

Weight
Incl. splash guard, 5.2 kg (11.5 lbs)



Clean the product with a solvent-free cleaning agent (pH level 5–9), or with a 70% disinfectant solution. Can be decontaminated at max. 85°C / 185°F if so required.

Etac Cloo toilet seat raiser

Cloo is a height adjustable toilet seat raiser which combines flexibility and simplicity. It has a discreet and soft design to blend in with the bathroom interior.

Adjustable angle and height

Cloo can be adjusted to three different heights. It can also be set with a slight anterior tilt to make sitting down or rising up even easier.

Functional arm supports

Cloo is available with or without arm supports. The arm supports are foldable but can be fixed in a folded down position if required. The arm supports are also detachable. Cloo can be used with only one arm support if space around the toilet is limited.



Easy height adjustment

To change the height, the spacers are easily added or removed without the use of any tools.



Facilitates standing up

Cloo can be set with a slight anterior tilt if reduced mobility restricts the ability to stand up.



Removable seat unit

Cloo seat unit has smooth surfaces for easy cleaning and can easily be removed without the use of tools.



Accessories



Arm supports

Pair: 80301222.
Cloo without arm support can be supplemented with arm supports.
Assembly without tools
Material: Polyamide



Heightening spacers

4 pcs: 80301221
To obtain 14 cm (5½") seat height, a set of extra spacers is required.

Description
Cloo 80301204
Cloo with arm supports 80301214

Dimensions
Seat width: 40 cm (15¾")
Seat height adjustable: 6/10 cm (2½/4")
Arm support height from top of the seat: 21 cm (8¼")
Total width without arm supports: 40 cm (15.5 lbs)
Total width, incl arm supports: 60 cm (23½")
Width between arm supports: 49 cm (19¼")

Weight
With arm supports: 4.8 kg (10.58 lbs)
Without arm supports: 3.3 kg (7.28 lbs)

Material
Seat: Polypropylene
Attachment: Aluminium
Heightening spacers: Polyamide

Colour
White. Arm supports: Grey



Clean the product with a solvent-free cleaning agent (pH level 5–9), or with a 70% disinfectant solution. Can be decontaminated at max. 85°C / 185°F if so required.

Etac Hi-Loo with Brackets

Stable and comfortable toilet seat raiser with brackets.

Offers the best functionality and comfort

Hi-Loo with brackets is a raised toilet seat which is extremely stable and yet easy to remove. The seat is ergonomically shaped and the recesses at the back and front provide for convenient intimate hygiene. Hi-Loo is available both with and without lid and in two different heights.



Etac Hi-Loo with 10 cm (4") and 6 cm (2½") raised seat.

Features



Secure fitting

The brackets are covered with friction rubber and adjustable to fit the shape of the toilet bowl. Hi-Loo fits all common types of toilets.



Easy to lift off

Hi-Loo is easy to fit onto the toilet bowl and can be removed without altering the setting of the brackets.



With lid

Hi-Loo is also available with lid.

Description

Hi-Loo with Brackets, 6 cm (2½")	80301065
Hi-Loo with Brackets, 10 cm (4")	80301105
Hi-Loo with Brackets and lid, 6 cm (2½")	80301067
Hi-Loo with Brackets and lid, 10 cm (4")	80301101

Dimensions

Outer dimensions: depth/width 39 cm/36 cm (15½"/14")
Opening: depth/width 27 cm/20 cm (10½"/17½")

Materials

Seat unit: polypropylene
Brackets: ABS/PC

Weight

6 cm: 1.1 kg (2.4 lbs)
10 cm: 1.5 kg (3.3 lbs)
With lid, 6 cm: 1.9 kg (4.2 lbs)
With lid, 10 cm: 2.3 kg (5.1 lbs)



Clean the product with a solvent-free cleaning agent (pH level 5–9), or with a 70% disinfectant solution. Can be decontaminated at max. 85°C / 185°F if so required.



Etac Hi-Loo Fixed

Stable and comfortable fixed toilet seat raiser.

Etac Hi-Loo with fixed mounting is a discreet toilet seat raiser, that fits most toilets and attaches firmly and securely to the toilet. The ergonomically designed seat has recesses at the back and the front, providing convenient intimate hygiene.

The arm supports are foldable but can be permanently fixed in the folded down position. Hi-Loo can be used with only one arm support if space is limited.

Hi-Loo fixed is available in 6 or 10 cm and with or without arm supports.



Etac Hi-Loo fixed fits most toilets and is easy to clean.

Features



Easy to detach

The snap locks makes it easy to detach the seat unit for cleaning.



Hi-Loo Angled

Recommended when knee or hip mobility is limited.

Accessories

See "Accessories for Hi-Loo and Supporter" on page 52

Description

Hi-Loo fixed, 6 cm (2½")	80301106
Hi-Loo fixed, 10 cm (4")	80301107
Hi-Loo Fixed with arm supports, 6 cm (2½")	80301316-2
Hi-Loo Fixed with arm supports, 10 cm (4")	80301317-2
Hi-Loo Fixed with arm supports, angled	80301318-2

Dimensions

Arm support height from top of seat: 23 cm (9")
Width between arm supports: 49 cm (19¼")
Overall width incl. arm supports: 60 cm (23½")
Hi-Loo Angled rear height: 10 cm (4")
Hi-Loo Angled front height 6 cm (2½").

Material

Seat unit: polypropylene
Arm supports: Polypropylene, powder coated steel tubing
Mountings: aluminium

Weight

Hi-Loo Fixed with arm supports, 6 cm: 4.9 kg (10.8 lbs)
Hi-Loo Fixed with arm supports, 10 cm: 5.8 kg (12.8 lbs)
Hi-Loo Fixed, 6 cm: 2.4 kg (5.3 lbs)
Hi-Loo Fixed, 10 cm: 3 kg (6.6 lbs)
Hi-Loo fixed with arm supports, angled: 5.5 kg (12.1 lbs)



Clean the product with a solvent-free cleaning agent (pH level 5–9), or with a 70% disinfectant solution. Can be decontaminated at max. 85°C / 185°F if so required.



Etac Supporter toilet arm supports

Stable toilet arm supports mounted directly on the toilet.



Functional arm supports

Etac Supporter arm supports are foldable and have comfortable rounded hand grips. With its neat design, Supporter blends naturally into the bathroom.

Easy to attach

Supporter is simple to mount without the need for tools. It fits both floor and wall mounted toilets. If space around the toilet is limited, Supporter can be used with only one arm support.

Supporter includes seat and lid.

Accessories

See "Accessories for Hi-Loo and Supporter" on page 52

Description

Supporter 80303112-2

Dimensions

Total width: 60 cm (23½")
 Width between arm supports: 49 cm (19¼")
 Arm supports height above top of seating: 25 cm (9¾")
 Arm supports length: 41.5 cm (16¼")

Weight

5 kg (11 lbs)

Material

Frame and arm supports: powder coated tubular steel
 Arm supports cover: polypropylene
 Lid and seat: Polypropylene
 Mountings: aluminium



Clean the product with a solvent-free cleaning agent (pH level 5–9), or with a 70% disinfectant solution. Can be decontaminated at max. 85°C / 185°F if so required.

Etac Supporter Adjustable toilet arm supports

Adjustable to fit both adults and children.



Flexible height and width

Etac Supporter Adjustable toilet arm supports can be set to three different heights and two widths. This makes them suitable for both children and adults. The arm supports can be detached, swung sideways and adjusted in height.

Etac Supporter Adjustable set with narrow width between the arm supports.



Lid and seat are included

Accessories

See "Accessories for Hi-Loo and Supporter" on page 52

Description

Supporter Adjustable 80303018-2

Dimensions

Total width: 62.3 cm (24½") alt. 51.3 cm (20¼")
 Width between arm supports:
 52.5 cm (20¾") alt. 33.7 cm (13½")
 Arm supports height above top of seat:
 20.5 cm (8") alt. 27.5 cm (10¾") alt. 34.2 cm (13½")
 Arm supports length: 41.5 cm (16¼")

Weight

5.8 kg (13 lbs)

Material

Frame and arm supports: powder coated tubular steel
 Arm supports cover: polypropylene
 Lid and seat: polypropylene
 Mountings: aluminium



Clean the product with a solvent-free cleaning agent (pH level 5–9), or with a 70% disinfectant solution. Can be decontaminated at max. 85°C / 185°F if so required.

Accessories for Etac Hi-Loo Fixed and Etac Supporter.



Brackets, pair
80301030
Provides extra stability if required for side transfers. Does not fit Etac Supporter Adjustable.



Toilet paper holder
83030001
To be attached under the arm support.



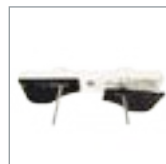
Crossbar 605 mm
80303034
To be attached on the arm support. Does not fit Etac Supporter Adjustable.



Attachment for signal device
80303027



Attachment kit
80301052
Facilitates mounting on porcelain when space is limited.



Adjustment kit
80304002
Increases the attachment slot range. Does not fit Hi-Loo without arm supports.



Etac OptimalL toilet arm support

Functional and stylish arm supports.

Function and simplicity in a smart combination
Etac OptimalL is a neat wall mounted arm support. The leg ensures stability and the small wall attachment allows fitting close to the toilet. OptimalL stays safely folded and is easily flipped down with the handle.



Accessory



Toilet paper holder
83030001

Description
OptimalL (one piece) 80303006

Dimensions
Length arm supports: 73.5 cm (29")
Floor to arm supports: 80 cm (31½")
Floor to arm supports, folded up: 149 cm (58¾")
Wall bracket: 10.4 x 11.0 cm (4 x 4¼")

Material
Wall bracket, arm supports tubing and supporting leg:
Powder-painted steel tubing
Details: Polypropylene

Weight
3.1 kg (6.8 lbs)



Clean the product with a solvent-free cleaning agent (pH level 5–9), or with a 70% disinfectant solution. Can be decontaminated at max. 85°C / 185°F if so required.



Etac Rex toilet arm support

For a modern and stylish impression.



Suitable for all bathrooms

Etac Rex is a stable and safe arm support that gives you safety close to the toilet. The clever design ensures that the arm supports take up very little room when folded up. They are close to the wall and do not get in the way. Furthermore, thanks to their angled shape, it is always easy to reach and grip onto them. They are also designed to guarantee a gentle and smooth folding down process. Etac Rex is made of highly qualitative material in order to give a stable grip and a safe support when you need it the most.

Support designed for you

Rex is available in three different lengths and in variants with or without supporting legs. Choose a model that suits you, your bathroom and your requirements. The supporting legs increase the maximum user weight to 150 kg.

The arm supports can easily be fitted onto the wall and blends well into your bathroom environment.



Etac Rex is available in three different lengths and in variants with or without supporting legs.

Rex toilet arm support

- 60 cm
- 70 cm
- 70 cm with supporting legs
- 85 cm
- 85 cm with supporting legs

- 81705010
- 81705020
- 81705030
- 81705040
- 81705050

Colour

White with volcano grey details.

Maximum user weight

Etac Rex 60/70 cm: 135 kg.
Etac Rex 85 cm: 100 kg.
With supporting leg: 150 kg.

Weight 60 cm: 2.7 kg.
70 cm: 2.9 kg.
85 cm: 3.3 kg.
Supporting leg: 0.7 kg.

Material

Aluminium, polyurethane, ABS plastic, polypropylene.
Supporting leg: Aluminium, polyamide, TPE, stainless steel.



Clean the product with a solvent-free cleaning agent (pH level 5–9), or with a 70% disinfectant solution. Can be decontaminated at max 85°C / 185°F if so required.



Features



Comfortable grip

The triangular shape of the arm support provides a stable and natural grip.



Easy to clean

With its clean, smooth surfaces, the arm support is both stylish and easy to clean.



Stable and safe

Top quality materials and construction provides security when it is most needed. Etac Rex is also available with support legs if extra stability is required.



Smart design

The arm supports take up very little room when folded up, while the angled shape makes them easy to reach, grip and fold down.



Accessories



Toilet paper holder

Toilet paper holder in stainless steel which is attached to the arm support.

81706001



Screw kit

Can be used for mounting in concrete, plywood or wood.

Screw kit Rex - T6S 8x80 DIN 571 A2 81706004



Storage basket

Storage basket in polyester/mesh which is attached to the arm support.

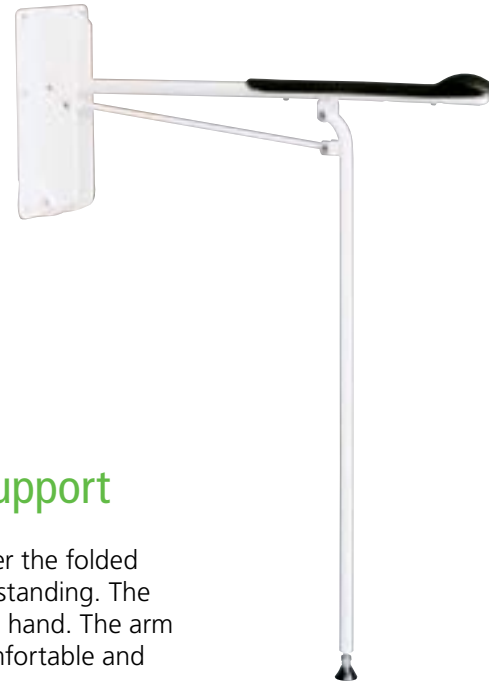
81706003

Etac Optima toilet arm support

Provides a firm and comfortable grip.

Etac Optima toilet arm support

Etac Optima arm support has a soft, rounded end which provides a comfortable grip. The supporting leg has an adjustable foot which ensures perfect floor contact. The large wall plate ensures a strong fix to the wall.



Etac Optima Lockable toilet arm support

Etac Optima Lockable toilet arm support, locks in either the folded up or down position. It provides stable support when standing. The unique locking mechanism is easy to operate with one hand. The arm support has a soft, rounded end which provides a comfortable and secure grip.



Both Optima models have mounting solutions for most situations.

Description

Optima (one piece)	80303001
Optima lockable (one piece)	80303004
Optima lockable, extended (one piece)	80303007

Dimensions

Length arm supports: 71.5 cm (28¼")
 Length arm support, extended: 91.5 cm (36")
 Floor to arm supports: 80 cm (31½")
 Floor to arm supports, folded up: 147.5 cm (58")
 Wall bracket: 16.5x30.4 cm (6½x12")

Weight

2.4 kg (5.3 lbs)
 Extended: 3.34 kg (7.4 lbs)

Material

Wall bracket: Powder-painted aluminium
 Arm supports tubing and supporting leg: powder-painted steel tubing
 Arm supports cover: Polypropylene



Clean the product with a solvent-free cleaning agent (pH level 5-9), or with a 70% disinfectant solution. Can be decontaminated at max. 85°C / 185°F if so required.



Accessories



Attachment for signal device
 80303027
 Fits Optima and Optima Lockable



Extension
 10 cm (4"): 80303030
 20 cm (7¾"): 80303031
 30 cm (11¾"): 80303032
 Fits Optima and Optima Lockable.



Toilet paper holder
 83030001
 Fits Optima and Optima Lockable.



Floor pillar
 80303028
 For floor-mounting, arm supports height: 80 cm (31½")
 Fits Optima and Optima Lockable.



Supporting leg
 80303040
 For relieving strain on walls.
 Fits Optima Lockable only.





Visit www.etac.com
for information about
our 5 year warranty.

Bathing

Bathing is important to our sense of well being. Etac provides safe solutions which give a high sense of comfort and security.

These products are used in wet environments which can put high demands on durability and quality. All our products are designed with materials that can handle the strain and are built to last which is why we offer a 5 year warranty.

Etac Rufus Plus bath board

Safe and sturdy design

Etac Rufus Plus bath board has a classic design and a capacity of 200 kg (441 lbs). The embedded aluminum tubes ensure the stability and weight capacity. The edge stops are easy to adjust for different bath widths.

Accessory



Support handle
81302023



Rufus Plus is available in two lengths

Description

Rufus Plus bath board, 68 cm (26¾"): 81202001
Rufus Plus bath board, 73 cm (28¾"): 81202002

Material

Polypropylene with embedded aluminium tubing

Weight

68 cm (26¾"): 1.8 kg (4 lbs)
73 cm (28¾"): 2.1 kg (4.6 lbs)

Dimensions

Length: 68/73 cm (26¾ / 28¾")
Width: 30 cm (11¾")
Thickness: 2.8 cm (1")



Clean the product with a solvent-free cleaning agent (pH level 5–9), or with a 70% disinfectant solution. Can be decontaminated at max. 85°C / 185°F if so required.



Etac Fresh bath board

Combines comfort and safety.

The original

The unique design of Etac Fresh has set the standard for bath boards. Its front edge, placed on the bath's outer side is wide enough to provide maximum support for transfers. The mid-section is narrowed off to allow easy access for intimate hygiene. Fresh is available in two lengths to ensure a perfect fit to various sizes of bath.

Secure mounting

The edge stops are easy to mount and secure by using the included plastic coin. Four friction linings keep the bath board securely on the bathtub.



Etac Fresh has a convenient place for soap and shampoo next to the handle.

Features



Edge stop

The edge stops are easy to adjust and sit firmly to ensure a safe transfer.

Accessory



Support handle

81600040
The handle ensures a comfortable and secure grip.

Description

Fresh, 69 cm (27¼")	81600011
Fresh, 74 cm (29¼")	81600021
Fresh, 69 cm (27¼") with handle	81600014
Fresh, 74 cm (29¼") with handle	81600024
Fresh, 69 cm (27¼") with handle retail packaging	81600114

Dimensions

Length: 69 or 74 cm (27¼ or 29¼")
Width: 36–27–30 cm (14¼–10¾–11¾")
Thickness: 4 cm (1½")
Adjustability, edge stops:
Fresh 69 cm (27¼"): max. 63.6 cm (25") min. 39 cm (15¼")
Fresh 74 cm (29¼"): max. 68.6 cm (27") min. 43.2 cm (17")

Material

Polypropylene
Edge stops: Polypropylene with TPE surface

Weight

Fresh 69 cm (27¼"): 2.1 kg (4.1 lbs)
Fresh 74 cm (29¼"): 2.3 kg (5.1 lbs)



reddot



Clean the product with a solvent-free cleaning agent (pH level 5–9), or with a 70% disinfectant solution. Can be decontaminated at max. 85°C / 185°F if so required.

Etac Rufus bath chair

Comfortable and secure seating

Etac Rufus bath chair provides a safe and comfortable seat 19 cm (7.6") below the top of the bath. It has a back support to ensure the best comfort and safety. The bath chair is available in two widths.



Description

Rufus bath chair, 70 cm (27¼") 81506011
Rufus bath chair, 74 cm (29¼") 81506012

Dimensions

Total Seat area: 41 x 40 cm (16¼ x 15¾")
Total width: 70 x 30.4 cm (27¼ x 12")

Weight

3.2 kg (7.1 lbs)

Material

Frame: Powder-painted steel tubing
Seat: Polypropylene with embedded aluminium tubing



Clean the product with a solvent-free cleaning agent (pH level 5–9), or with a 70% disinfectant solution. Can be decontaminated at max. 85°C / 185°F if so required.

Etac Stapel bathroom stool

A reliable bathroom stool

Etac Stapel is a sturdy stool which can be used in many situations. It is ideal when stepping in and out of the bath or as a footstool when using the toilet. The top can easily be unclipped for cleaning.



Stapel makes stepping in and out of the bathtub safe.

Accessory



Telescopic leg

5–18 cm (2"–7")
4 pcs 83010002
5–10.5 cm (2"–4¼")
4 pcs 83010001

Description

Stapel 81204002

Material

Frame: Powder-coated tubular steel
Seat: Polypropylene

Dimensions

Total height: 18 cm (7")
Footprint: 48.5 x 49 cm (19 x 19¼")
Standing area: 38 x 43 cm (15 x 17")



Weight

3 kg (6.6 lbs)

Clean the product with a solvent-free cleaning agent (pH level 5–9), or with a 70% disinfectant solution. Can be decontaminated at max. 85°C / 185°F if so required.





Visit www.etac.com
for information about
our 5 year warranty.

Aids for Daily Living

Important everyday tasks such as gripping, turning, eating, writing and getting dressed may become difficult for persons with reduced strength and mobility in arms and hands.

Our products within this category alleviate stress and strain on muscles and joints, making it easier for the user to continue performing these important tasks independently.

Etac Beauty body care

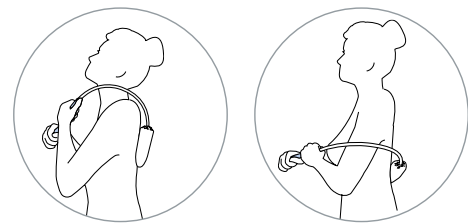
Using the Beauty products not only makes washing the body easier, they also offer a smooth massage for the skin and hair scalp

Etac Beauty body and back washer

Beauty body and back Washer are designed to facilitate reaching and washing. The wash cloths do not absorb water which make the products light and balanced even when wet. The handles are oval and have a surface which enables a secure grip. The wash cloths are machine washable and replaceable.



Etac Beauty Body washer has a user friendly curved design.



Etac Beauty Back washer is designed to facilitate a two hand grip.

Etac Beauty hair washer

Beauty Hair washer substitutes the fingers to apply shampoo and massage the scalp. The shaft and handle are of the same design as the body washer, making it easier to reach the head without strain on hands, shoulders or arms.



Description

Beauty body washer	80210076
body washer spare wash cloth 2/pack	80210103
Beauty back washer	80210080
back washer spare wash cloth	80210104
Beauty hair washer	80210078

Length

Beauty body washer:	38 cm (15")
Beauty back washer:	77 cm (30¼")
Beauty hair washer:	36 cm (14¼")

Weight

Beauty body washer:	112 g (4 oz.)
Beauty back washer:	203 g (7.2 oz.)
Beauty hair washer:	112 g (4 oz.)

Material

Polypropylene and TPE
Wash cloth: Cotton with polythene inner lining

Design

Ergonomidesign
The Beauty product designs are registered



Etac Beauty comb and hairbrush

Beauty Comb and Hairbrush come in two lengths. The shorter version is recommended when the user can reach the ear. The longer version is suitable for users who can only reach the shoulder. Both the comb and brush are curved to ensure the best comfort and control when combing/brushing the hair.



Etac Beauty multipurpose grip

Beauty multipurpose grip rests comfortably in the hand and offers a variety of uses. Put a nail file in the multipurpose grip for an easy pedicure. The wider end of the grip may be used for a tooth brush or shaver.



The Etac Beauty multipurpose grip has a soft smooth surface.

Description

Beauty hairbrush	80210072
Beauty hairbrush, long	80210074
Beauty comb	80210068
Beauty comb, long	80210070
Beauty multipurpose grip	80210082

Length

Beauty hairbrush:	29/37 cm (11½/ 14½")
Beauty comb:	30/37 cm (11¾/ 14½")
Beauty multipurpose grip:	11 cm (4¼")

Weight

Beauty hairbrush	102/112 g (3.6/ 4 oz.)
Beauty comb	80/90 g (2.8/ 3.2 lbs)
Beauty multipurpose grip:	45 g (1.6 oz.)

Material

Polypropylene and TPE
Nail file: Emery board

Design

Ergonomidesign
The Beauty product designs are registered



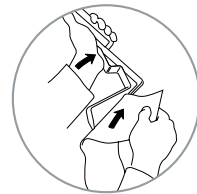
Etac Torkel toilet paper tongs

To manage intimate hygiene is a high priority task for everyone.

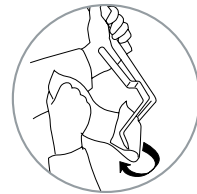
Improved privacy

When grip, reach or mobility functions are restricted, these tongs can be used for toilet paper, wash cloths or small towels. Torkel can be disinfected and also withstands boiling.

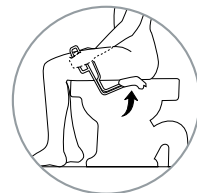
How to use Torkel toilet paper tongs:



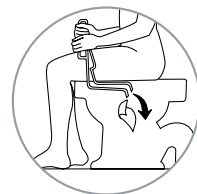
1. Tear off a piece of toilet paper (approx. 40 cm / 16"). Open the tongs by squeezing the handle, then thread the paper between the tongs.



2. Roll the paper loosely around the tongs so that it covers the tip.



3. Wipe.



4. Open the tongs and shake to remove the toilet paper.



Description

Torkel toilet paper tongs

Item no.

80304001

Dimensions

Length: 33 cm (13")

Material

Polyamide plastic

Weight

100 g (3.5 oz)

Design

Designkonsulterna

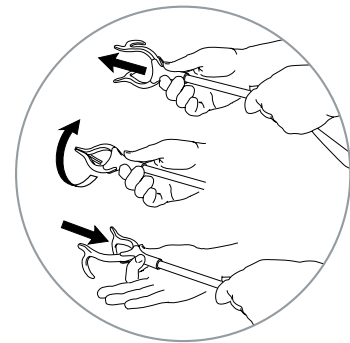


Clean the product with a solvent-free cleaning agent (pH level 5–9), or with a 70% disinfectant solution. Can be decontaminated at max. 85°C / 185°F if so required. Also withstand boiling.

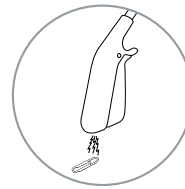


Etac Aktiv reachers

The Etac Aktiv reachers are available in a number of models. They are light and have ergonomically designed handles to make reaching and gripping easier. The jaws open wide but still grab the smallest item. A unique feature is the possibility to turn the jaws. They can easily be changed from a horizontal to a vertical position. All models have a magnet in the handle for picking up small metallic objects.



The jaws can be set to two positions.



All models have a magnet in the handle to pick up metallic objects.

Etac Aktiv reacher, short and long

The Etac Aktiv reacher handles are slightly angled and only require a small hand grip to maneuver. This utilizes the strength in the hand and provides an effective grip. The handle has a support for the index finger which gives improved precision. The entire gripping surface of the jaws is coated with hardwearing rubber, ensuring plenty of friction which also reduces the amount of strength required.

Active reacher is offered in 5 different lengths. The long ones are recommended when the use is mostly from a standing position.



Active reacher 45 cm (17 3/4") provides sufficient reach to the floor when sitting.

Etac Aktiv reacher with power grip and hook

This Active reacher has a 90° angled handle and a forearm support which enables use for persons with very limited lifting ability and weak hands. The jaws are provided with hooks to pull or push items. The Aktiv reacher with hook also has the same turnable jaws and a magnet to pick up small metallic items.



Aktiv reacher with power grip and hook.



The handle is angled to keep the wrist straight and enables a power grip. Combined with the forearm support the grip is stable and effective.

Etac Aktiv reacher with hook

This handy Etac reacher with hook is a perfect aid for dressing and undressing due to its ability to pull and push. Additionally the Aktiv reacher with hook has the same light weight and brilliant functionality as the other Aktiv reachers.



Active reacher with hooks is a perfect tool for reaching and dressing.



The patterned rubber on the inside of the hooks provides a good grip.

Description

Description	Item no.
Aktiv reacher, 45 cm (17 3/4")	80505004
Aktiv reacher 60 cm (23 1/2")	80505007
Aktiv reacher, 70 cm (27 1/2")	80505003
Aktiv reacher 80 cm (31 1/2")	80505008
Aktiv reacher 90 cm (35 1/2")	80505009
Reacher with power grip and hook, 60 cm (23 1/2")	80505005
Reacher with hook, 45 cm (17 3/4")	80505006

Weight

Reacher, 45 cm (17 3/4"):	111 g (3.9 oz)
Reacher, 70 cm (27 1/2"):	128 g (4.5 oz)
Reacher with power grip:	139 g (4,9 oz)
Reacher with hook:	117 g (4.1 oz)

Material

Handle, and jaws:	Polycarbonate/ABS
Forearm support and jaw bracket:	Polyamide
Tube:	Aluminium

Lifting capacity

The reachers should not be used to lift loads in excess of 2 kg.

Design

Ergonomidesign

Etac Socky stocking aid

Etac Butler buttoners

To reach down to the feet or to fasten small buttons or zippers can be distressing when pain restricts the mobility or fine motor skills are reduced. These problems can be complex and one model may not be appropriate for everyone. Here is a choice of three stocking aids and two buttoners.



The plastic hooks under the nylon fabric holds the sock in place and makes it easy to apply the sock.

Etac Socky stocking aid, short

Socky short is the perfect stocking aid for both short and knee long socks including flight socks. It consists of a plastic base with two hooks under a pre folded nylon fabric.

How to use Etac Socky Short

The sock is simply pulled onto the Socky fabric until the top of the sock reaches over the hooks. Place the string behind the calf and pull. Socky short slides up around your foot and lower leg with ease, placing the socks perfectly.



The handle makes Socky Long easy to use when the strength and mobility are restricted in hands and arms.

Etac Socky stocking aid, Long

Socky long is the ideal solution when hand strength and mobility is restricted or you need to reduce the friction between the sock and floor/carpet. It can be used for short as well as knee long socks and can also be used for tights. Socky long consists of a long plastic sheet placed under a pre folded nylon fabric with a handle on top.

How to use Etac Socky Long

The sock is simply placed around the Socky fabric and pulled to the top. The handle is used to pull Socky long up, while the plastic sheet slides on the floor and ensures that the sock stays in place. For tights, use two Socky longs connected with Etac Socky linking device.



This Socky model also facilitates for a care person to assist when putting on support or compression stockings.

Etac Socky stocking aid for support and compression stockings

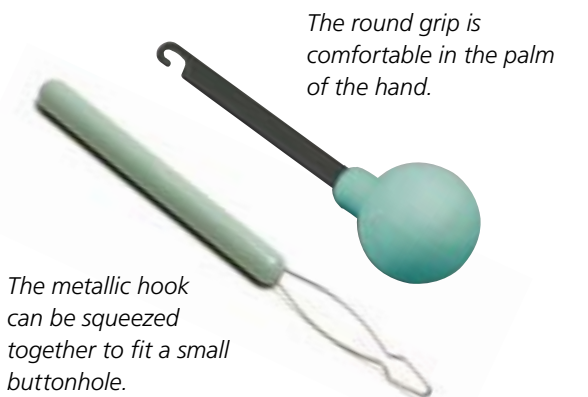
This stocking aid is designed to suit different lengths and types of support and compression stockings. It consists of two long nylon fabric sections that connect with Velcro. Each part has a large handle to grip and to pull the stocking over the foot and leg.

How to use Socky Long

Place the support stocking onto the Socky. The fabric parts divide when you pull up the stocking. It also facilitates for a care person to assist.


Etac Butler buttoners

The Butler buttoners are available in two models. The model with a round grip can be used for both big and small buttons and also zippers. The model with a long handle can be used for all types of buttons, even jeans metal type buttons.



The round grip is comfortable in the palm of the hand.

The metallic hook can be squeezed together to fit a small buttonhole.

 **Instruction video at etac.com**
How to use Etac Socky

Description	Item no.
Socky stocking aid, short	80601002-2
Socky stocking aid, long	80601001-2
Socky Linking device	80601021
Socky stocking aid for support and compression stockings	80601003-2
Butler buttoner, round	80602001
Butler buttoner, long	80602004

Length
Socky short, 40 cm (15¾")
Socky long, 60 cm (23½")
Socky stocking aid for support and compression stockings: 100 cm (39¼")
Butler, round: 13 cm (5")
Butler, long: 22 cm (8¾")

Patent
Socky short and Socky long is patented.

Weight
Socky short: 94 g (3.3)
Socky long: 146 g (5.1 oz)
Socky stocking aid for support and compression stockings: 90 g (3.2 oz)
Butler, round: 25 g (0.9 oz)
Butler, long: 18 g (0.6 oz)

Material
Socky stocking aids:
Fabric: Polyamide
Plastic parts: Polypropylene

Butler buttoners:
Handle: Polystyrene
Butler round, shank: Epoxy coated metal
Butler long, hook: Galvanised wire

Design
HM Center

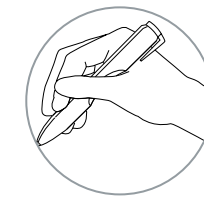


Etac Contour pen and Uni turner

We all need to write small notes or sign a document from time to time. There are also knobs and handles that need to be turned in order to open doors, cupboards or switch lamps on/off.

Etac Contour pen

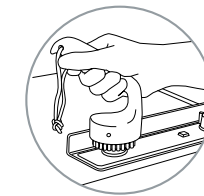
The Contour pen is specially designed to enable handwriting with poor gripping ability. Thanks to the narrowed grip area the pen rests comfortably in the hollow of the thumb and index finger. The thumb stabilizes the grip and writing is possible with very little effort. The light fluid ink further reduces the strain on the fingers.



The Contour pen lays comfortably in the hollow of the thumb and index finger.

Etac Uni turner

Uni Turner makes small, day-to-day tasks easier, such as opening and turning small knobs and handles. It has an ergonomic and comfortable handle which facilitates pressing the knob before turning. The red hexagonal pegs ensure a good grip around the knob.



The Uni Turner offers a firm and comfortable grip for the wrist and relieves the finger joints when in use.

Description

Contour pen
Uni universal turner

Item no.

80701001
80503003

Weight

Contour Pen: 26 g (1 oz)
Uni turner: 84 g (3 oz)

Material

Contour pen: Handle ABS
Uni turner: ABS
Pegs: Polyamide

Design

Contour Pen: Designkonsulterna
Uni turner: Ergonomidesign

Etac Relieve ergonomic knives

Relieve knives have an angled handle and sharp blade which make cutting easier.

The handle: The angle keeps the wrist straight and the grip friendly oval shape ensures a stable grip. The top of the handle is smoothly curved to enable a comfortable thumb position.

The blade: To facilitate cutting, the blade is very sharp. In order to minimize the risk for the hand to come in touch with the food the blade is lower than the handle.

Etac Relieve angled carving knife

The blade is sufficiently long for cutting food and bread. The handle angle is designed to keep the wrist straight when cutting standing up.



Relieve carving knife

Etac Relieve angled table knives

These table knives are available in three variants: for normal-sized hands, for small hands or children's hands and one foldable model. They are designed to keep the wrist straight when cutting whilst sitting at a table.



Relieve table knives

Description

Description	Item no.
Relieve carving knife	80501101
Relieve table knife	80402101
Relieve table knife, small	80402102

Item no.

Weight

Relieve carving knife: 75 g (2.7 oz)
Relieve knives: 72 g (2.5 oz)
Relieve small knife: 37 g (1.3 oz)

Care

Dishwasher-safe

Design

Ergonomidesign

Material

Blade: Stainless steel
Relieve carving knife: Polyamide handle
Relieve table knives: Polyamide plastic handle

Etac Relieve kitchen knife

Compared to ordinary kitchen knives the unique closed grip gives Relieve kitchen knife an extra dimension of grip options. With the hand placed in the handle the knife is perfectly balanced and requires very little strength when cutting.



Etac Relieve cheese slicer

Relieve cheese slicer cuts cheese, cucumber and other vegetables with ease.

Gripping with the thumb on top of the handle it fits all hand sizes. The bottom of the handle is angled to prevent contact with the cheese. The "wavy" slicing blade lifts the cheese or vegetable slice from the blade.



Description

Description	Item no.
Relieve kitchen knife with serrated blade	80501001
Relieve cheese slicer	80502001

Item no.

Material

Relieve kitchen knife and cheese slicer
Handle: Polypropylene
Blade: Stainless steel

Weight

Kitchen knife with serrated blade: 161 g (5.7 oz)
Relieve cheese slicer: 69 g (2.4 oz)

Care

Dishwasher-safe

Design

Ergonomidesign

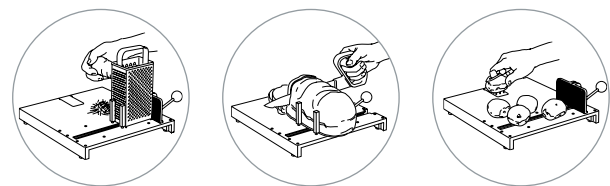
Etac Fix - food preparation board

Etac Cut - cutting board

With poor hand function a two hand grip doubles the strength but leaves no hand for holding. When using a two hand grip or with one hand function only, these devices are indispensable, for cutting, whipping or grating.

Etac Fix food preparation board

Fix preparation board stands firmly on its four friction feet or the enclosed suction feet. The jaws hold a bowl, grater or piece of food in place. There is also a small plate with spikes to hold smaller pieces of food. This can be removed and also placed with the spikes pointing downwards to obtain a flat surface.



Etac Cut cutting board

Cut cutting board simplifies slicing bread, paté, a steak or whatever is to be cut. By turning the transverse bar, the thickness of the slices is easily changed.

A knife fits in the guides, which makes it possible to cut safe and straight. An invaluable help to compensate impaired sight.



Description

Fix food preparation board
Cut cutting board

Item no.

80501004
80501005

Weight

Fix preparation board: 1.3 kg (2.87 lbs)
Cut cutting board: 415 g (14.5 oz)

Material

Fix food preparation board:
Chopping board: Polystyrene
Metal parts: Stainless steel
Jaws: PC/ABS

Cut cutting board:
Polystyrene

Care

Dishwasher-safe

Design

Ergonomidesign
The Fix preparation board is patented

Etac Light cutlery

Etac Light cutlery and Tasty plate and glasses facilitate eating when mobility in hands and arms are restricted. There are various models available and of course they are all lightweight.

Common to all Light cutlery is a functional design of the handle and a shape that makes the grip stable and comfortable. Each cutlery has its own unique shape and design according to its specific usage and to compensate for reduced hand function.

Etac Light cutlery, thick handles

Light Cutlery with thick handles enables a relaxed grip. The strain on the fingers is reduced thanks to the thick oval shape and lightweight design.

The soup spoon has a slightly longer and thinner handle. This facilitates a grip in the hollow between the thumb and the index finger, which is the most common way to use a soup spoon. To make cutting easier the knife handle has a slope to relieve the strain on the index finger and a special designed sharp blade.



Etac Light spoon, angled

The lightweight angled spoons are designed to facilitate using a power grip when eating. The long stainless shaft can be slightly bent to compensate for further reduced mobility in the wrist.



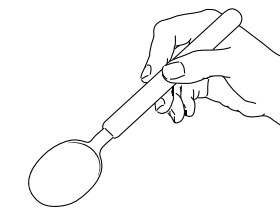
The angled spoons are available for both right-handed and left-handed use.

Description	Item no.	Dimensions	Material
Light fork, thick handle	80402002	Fork: 18 cm (7")	Utensil parts: Stainless steel
Light soup spoon, thick handle	80402004	Spoon: 22 cm (8¾")	Handle: ABS plastic
Light knife, thick handle	80402006	Knife: 21 cm (8¼")	
Light dessert spoon, thick handle	80402007	Dessert spoon: 18 cm (7")	
Light spoon, angled, – for right hand	80403201	Spoon, angled: 19 cm (7½")	Care Dishwasher-safe
– for left hand	80403202		Design Ergonomidesign
		Weight	
		Fork: 27 g (1 oz)	
		Soup Spoon: 37 g (1.3 oz)	
		Knife: 23 g (0.8 oz)	
		Dessert spoon: 30 g (1 oz)	
		Spoon, angled: 35 g (1.2 oz)	

Etac Light cutlery, thin handles

The thin handles allow a comfortable grip between the fingers. This is a functional grip when strength and mobility are so restricted that lifting the hand requires turning the palm upwards. With the long handles the cutlery doesn't need to be lifted as high as with short handles.

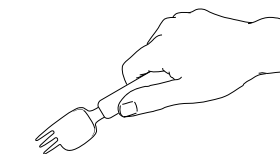
A functional grip when the muscle strength is restricted.



Thin handles also facilitate eating when gripping function is reduced due to severe restricted joint mobility.

Etac Light, combination cutlery

Light combination cutlery consists of a knife/fork and knife/spoon and is designed for use with one hand only. One side of the handle is flat. This secures a stable grip when cutting. The knife/fork is available in right-handed and left-handed versions, while the knife/spoon is suitable for both.



Description	Item no.	Weight
Light fork, thin handle	80401003	Fork: 24 g (0.9 oz)
Light spoon, thin handle	80401005	Spoon: 34 g (1.2 oz)
Light knife, thin handle	80401001	Knife: 21 g (0.8 oz)
Light dessert spoon, thin handle	80401007	Dessert spoon: 26 g (0.9 oz)
Combination cutlery		Combination Cutlery:
Light knife/spoon	80403001	Knife/fork: 25 g (0.9 oz)
Light Knife/fork, right hand	80403002	Knife/spoon: 35 g (1.2 oz)
Light Knife/fork, left hand	80403003	
		Material
		Utensil parts: Stainless steel
		Handle: ABS plastic
		Care
		Dishwasher-safe
		Design
		Ergonomidesign
		Dimensions
		Fork: 21 cm (8¼")
		Spoon: 21 cm (8¼")
		Knife: 22 cm (8¾")
		Dessert spoon: 20 cm (7¾")
		Combination cutlery:
		Knife/fork: 18 cm (7")
		Knife/spoon: 20 cm (7¾")

Etac Tasty – glass, beaker and plate

Tasty is a range of lightweight products with functional and discreet design to adapt to an ordinary laid table.

Etac Tasty glass

Tasty glass is easy to handle thanks to its light weight and its design, inspired by a wine glass. It can easily be lifted without gripping the shaft. Just put the index finger and thumb around the shaft and the bowl of the glass will rest against the hand.



Etac Tasty plate

Tasty plate has a raised edge on one side and a low edge on the other to facilitate picking up food with one hand only. The underside is equipped with a rubber strip to ensure that the plate sits securely. The Tasty plate is also suitable in a feeding situation to assist a carer.

Etac Tasty beaker

Tasty beaker consists of a plastic beaker, a beaker holder and a lid with spout. The big handle combined with the supporting edge permits various grips, and the holder insulates against hot liquid. The design with only one handle and a supporting edge, saves space in the kitchen cabinet.



Description	Item no.
Tasty glass	80404001
Tasty plate with raised edge	80404005
Tasty beaker	80404042

Material
Glass: Polycarbonate
Plate: White, heat-resistant melamine
Beaker: Polycarbonate
Holder/spout lid: Polypropylene

Capacity
Glass: 2 dl (8 oz)
Beaker: 3 dl (12 oz)

Weight
Glass: 75 g (2.6 oz)
Plate: 160 g (5.6 oz)
Beaker including holder and spout lid: 125 g (4.4 oz)
Beaker: 50 g (1.8 oz)
Holder: 60 g (2.1 oz)
Spout lid: 15 g (0.5 oz)

Care
Dishwasher-safe. Will retain its shiny finish if washed by hand. NOTE! Plate must not be used in a microwave.

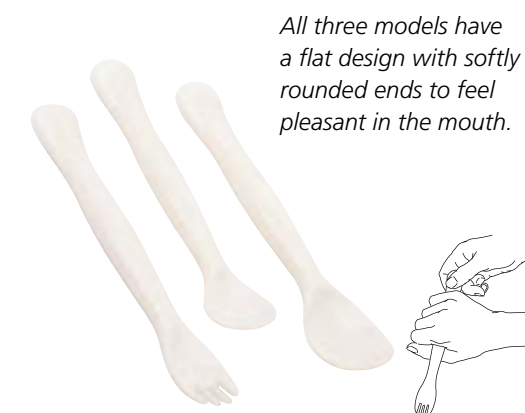
Design
Ergonomidesign

Etac Feed feeding aids

Our feeding cutlery and drinking cups are functional for both the person being fed and the one who is feeding. The products are suitable for feeding both children and frail adults who need assistance.

Etac Feed cutlery

The flat and smooth design makes it easy to feed a person with restricted ability to open the mouth. The top of the handle enables a comfortable grip for the assisting person and also leaves space for the person being fed to grip.



All three models have a flat design with softly rounded ends to feel pleasant in the mouth.

Etac Feed spoon – adjustable

Feed spoon is especially designed for children to facilitate eating by themselves. Using a power grip, the hand is prevented from sliding thanks to the thumb support. The angle is set with a little screw. The elastic strap is useful for children with poor gripping ability.



Etac Feed spoon is available for both right-handed and left-handed use.

Etac Feed dose mug

The dose mug makes it easier to assist with drinking. The spout shape provides good contact with the lips and reduces the need of leaning the head back for secure pouring. This mug is transparent and comes with ½ dl (1.7 oz) and 1 dl (3.4 oz) markings.



Description	Item no.
Feed spoon	80403101
Feed spoon, small	80403102
Feed fork	80403103

Feed spoon, adjustable angled for right hand:	80403301
angled for left hand:	80403302
Feed dose mug	80404101

Capacity
Dose mug: 1 dl (4 oz)

Dimensions
Feed spoon: 22 cm (8¾")
Feed spoon, small: 20 cm (7¾")
Feed fork: 22 cm (8¾")
Feed spoon, adjustable: 16 cm (6¼")
Feed Dose Mug: Height, excl. spout: 7 cm (2¾")

Weight
Feed spoon: 37 g (1.3 oz)
Feed spoon, small: 31 g (1.1 oz)
Feed fork: 34 g (1.2 oz)
Feed spoon adjustable: 40 g (1.4 oz)
Feed Dosemug: 40 g (1.4 oz)

Material
Feed spoon and feed fork: Thermoplastic polyester
Feed spoon adjustable: White polyamide
Feed Dosemug: Polycarbonate

Care
Dishwasher-safe

Design
Ergonomidesign

A wide range of possibilities

Our philosophy is all about creating possibilities which is reflected in our products. Safety, function, quality and design are of highest priority. You can find more information about our products at www.etac.com.



The Etac Cross 5 wheelchair combines maximum comfort with optimum functionality, designed for many various needs.

Etac Wheelchair

All Etac wheelchairs are designed to meet the needs of many different users as well as care requirements. There are several models to choose from – all with many adjustment possibilities and a wide range of accessories. For the user, our wheelchairs guarantee the best possible seating comfort, user friendliness and excellent manoeuvring.

Molift Hoists and Slings

Molift is our high quality product range of hoists and slings developed to ensure safety, dignity and comfort. The objective is to provide the best and most secure care, avoid heavy lifting situations that can put caregiver's backs at risk and provide the healthcare sector with the most cost effective solutions.



Immedia Manual Transfer

Immedia, our manual transfer product range, ensures safe and comfortable transfers. The smooth products remove friction points and facilitate weight shifts. They also assist the user with natural movement and the transfer can be performed with ease and dignity, for both caregiver and care recipient.



Etac Daily Living Solutions

Etac's products for daily living are designed to alleviate stress and strain on muscles and joints, making it easier for the user to continue performing their daily tasks, such as gripping, turning, eating, writing and getting dressed.



Etac Bathing and Toileting

Etac provides safe solutions for bathing and toileting, which give a high sense of comfort. The wet environments put high demands on durability and quality. All products are designed in materials that can handle the strain and provide long life time.

R82 Pediatric Solutions

There is no question that independence is essential to a child's development. Less able children are no different. Just like everyone else, they too want to be able to do things for themselves and start to discover who they really are. Through the Etac subsidiary R82, we offer an extensive range of seating, standing and walking aids for children and teenagers.



Read more about our solutions at

www.etac.com



“Everyone should be able to live a free and independent life
and pursue their dreams regardless of any physical circumstances”

For the latest news and continuously updated
product information – visit: www.etac.com

Etac AB
Kista Science Tower
SE-164 51 Kista, Sweden
Tel +46 371 58 73 30
Fax +46 371 58 73 90
info@etac.se www.etac.com


Creating Possibilities